

# Technical Bulletin

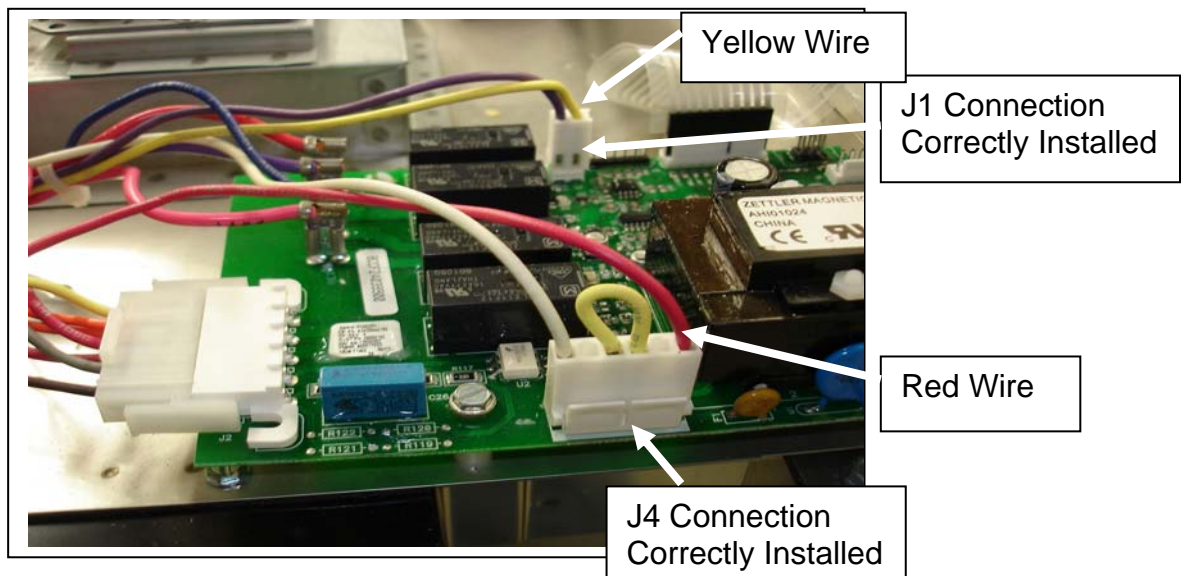
Date: February 2010  
 No: ITCM-0034-B

Page 1 of 2

- Type** Policy Letter  
 ✓Service Information
- Attention** Service Managers  
 ✓Service and Parts Managers
- Product** HDC / UHDC / DEC / UC / MHDC / CHDC models listed below
- Issue** Incorrectly wired HV/ LV Board
- Action**

When servicing models listed below, check wiring to HV/LV board J1 & J4 connectors. If wiring connections to board are reversed it will cause the HV/LV board to fail. See photo below and page 2 wiring diagram for correct wiring.

Model	Mfg Number	Model	Mfg Number
HDC5112	P1333109M	UHDC5182	P1333118M
UHDC5112	P1333110M	DEC18E2	P1333119M
DEC11E2	P1333111M	UC18E2	P1333120M
UC11E2	P1333112M	HDC5212	P1333121M
HDC5142	P1333113M	MCHDC521	P1333122M
UHDC5142	P1333114M	DEC21E2	P1333123M
DEC14E2	P1333115M	CHDC5142	P1333124M
UC14E2	P1333116M	CHDC5182	P1333125M
HDC5182	P1333117M	CHDC5212	P1333126M



WIRING DIAGRAM PART NO. 13064001	
WIRE CODE	COLOR CODE
— HIGH VOLTAGE	RD RED
— LOW VOLTAGE	PK PINK
	OR ORANGE
	YL YELLOW
	GN GREEN
	BU BLUE
	VT VIOLET
	BK BLACK
	BR BROWN
	GY GRAY
	WH WHITE

OVEN LIGHT  
(NOT ON ALL MODELS)

