

MENUMASTER[®] Commercial

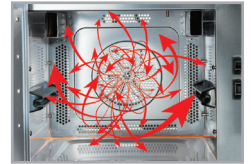
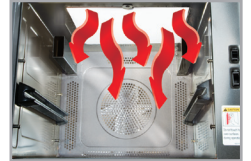


Model CDS1400E shown

Heavy Volume | Combination Cooking MenuMaster Jetwave™ Commercial Oven

Power Output

- Convection:
 - 2700 W
 - 65°-250° C (150° - 475° F) temperature range
 - Convected air by fan and heat channels for enhanced toasting and browning
- Microwave:
 - 1400 W
 - Heats quickly, reduces cooking time



4 times faster than conventional ovens.

Heavy Volume | Combination Cooking This category of combination oven is ideal for...

Application:

- Wine bars
- Pubs
- Kiosks
- Supermarkets
- Country club,
- Bakery/cafés
- Convenience stores

Through put potential:

- 6" Inch toasted sub sandwiches, 50 per hour
- 1 portion of 4 frozen crispy chicken wings, 25 portions (84 wings) per hour
- 1 frozen pre-baked fruit filled pastry, 20 per hour
- 12" frozen pizza, 10 per hour
- 1 frozen, pre-baked fruit filled pastry, 20 per hour

Location of oven(s):

- Kitchen shelf
- Kitchen countertop, single or stacked
- Equipment stand, single or stacked

Cuts Costs

- Uses less energy than a conventional oven.
- Eliminates need for pre-cooking and holding.
- Uses quarter size metal trays, pans and screens.

Simplifies Cooking

- Touch pad operation for consistent results.
- Controls are intuitive and simple to use.
- Stores up to 100 menu items.
- Four stage cooking option.
- EZCard Menu Management System updates programming in seconds.
- 34 liter (1.2 cubic ft.) oven capacity.
- Door opens 90°+ for full access to the oven cavity.

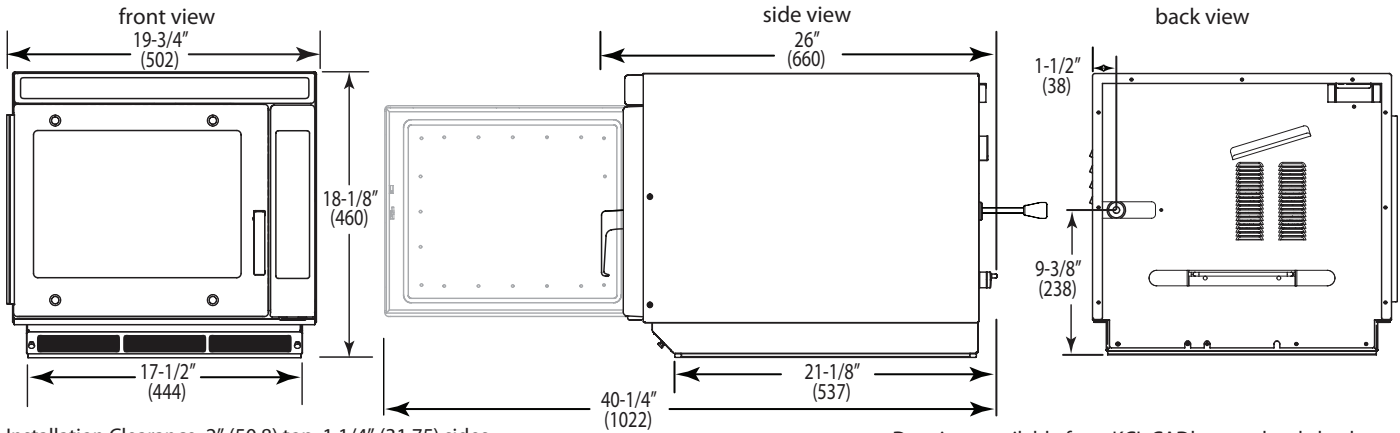


Easy to Use and Maintain


- Stainless steel exterior and interior.
- Removable, cleanable air filter and clean filter reminder protect oven components.
- CQC Listed.



MenuMaster Jetwave™ Commercial Microwave Heavy Volume | Combination Cooking



Specification #:

Specifications	
Model	CDS1400E
UPC Code	728028129311
Cooking Power*	2700W Convection, 1400W Microwave
Configuration	Countertop
Control System	Touch
Programmable Control Pads	10
Total Programmable Settings	100
Power Levels	11
Max. Cooking Time	20:00
Stackable	Yes
Time Entry Option	Yes
Microwave Distribution	Rotating antenna, top
Magnetrons	1
Display	LED-backlit LCD
Stage Cooking	Yes, 4
Door Opening	Lift and pull handle
EZ Card Menu Management	Yes
Temperature Range	70° - 250° C (150° - 475° F)
Air Filter	Yes, removable, with clean filter reminder
Fan Speed	0-100%
Rack	3 rack positions, removable
Exterior Dimensions	H 460 (18 1/8") W 502 (19 3/4") D** 660 (26")
Cavity Dimensions	H 267 (10 1/2") W 330 (13") D 381 (15")
Door Depth	1022 (40 1/4"), 90°+ door open
Usable Cavity Space	34 liter (1.2 cubic ft.)
Exterior Finish	Stainless steel
Interior Finish	Stainless steel
Power Consumption	3400 W
Power Output*	1400 W* Microwave
Power Source	230 V, 50 Hz, 16 A single phase
Plug Configuration / Cord	CHINA 1.5 m (5 ft.) 
Frequency	2450 MHz
Product Weight	43 kg (95 lbs.)
Ship weight (approx.)	46 kg (102 lbs.)
Shipping Carton Size	H 718 (28 1/4") W 553 (21 3/4") D 546 (21 1/2")

Specifications

Oven shall combine two cooking modes: convection and microwave for high speed cooking. Control panel shall be programmable with the ability to program up to 100 menu items, single or double digit entry. Programs shall be automatically updated with the use of a memory card system. There shall be 11 power levels and 4 cooking stages. Microwave output shall be 1400 watts and distributed from the top of the cavity. The 2700 watt convection oven shall provide a temperature range from 70° - 250° C (150° - 475° F) in 25° increments. The convection fan located in the back of the cavity shall distribute the heat throughout the cavity to further enhance browning. Maximum microwave cooking time shall be 20 minutes. Oven shall have a stainless steel exterior. 34 liter (1.2 cubic ft.) oven cavity shall be stainless steel construction with stainless oven door. Interior shall have 3 rack positions. Air filter shall be easily accessible and removable from the front of the oven and have a "clean filter" reminder feature. Oven shall be stackable. Microwave oven shall comply with standards set by the U.S Department of Health and Human Services, and CQC for safety and sanitation.

Optional Accessories

- Pizza stone
- Drip tray
- Oven paddle



Warranty

Warranty Certificate for this product can be found by locating it on the ACP, Inc. website at:

www.acpsolutions.com/warranty



AIA File #:

Measurements are in millimeters
 * IEC 60705 Tested ** Includes handle

