

MENUMASTER® Commercial



MOC5201, MOC5201J/MOC6201J shown with door open

Heavy Volume

This microwave is ideal for McDonald's...

Location of oven(s):

- Prep line, single or back-to-back

Applications:

- Hotcakes
- McGriddles
- Meats
- Sauces

Heavy Volume

Commercial Microwave Model MOC5201, MOC5201J/MOC6201J

Power Output

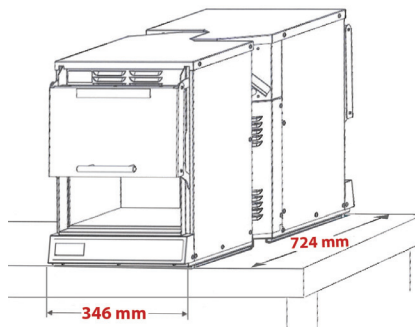
- 2000 watts of power for high power density
- Top and bottom magnetrons.

Increased Productivity

- Short cook times.
- Door automatically opens to save service time.
- Closing door and pushing control pad is one operator motion.
- Door design does not interfere with kitchen flow.
- Small, "jigsaw" shaped footprint allows for back-to-back placement on a 724 mm (28 1/2") shelf using only 346 mm (13 5/8") of space.

Easy to Use and Maintain

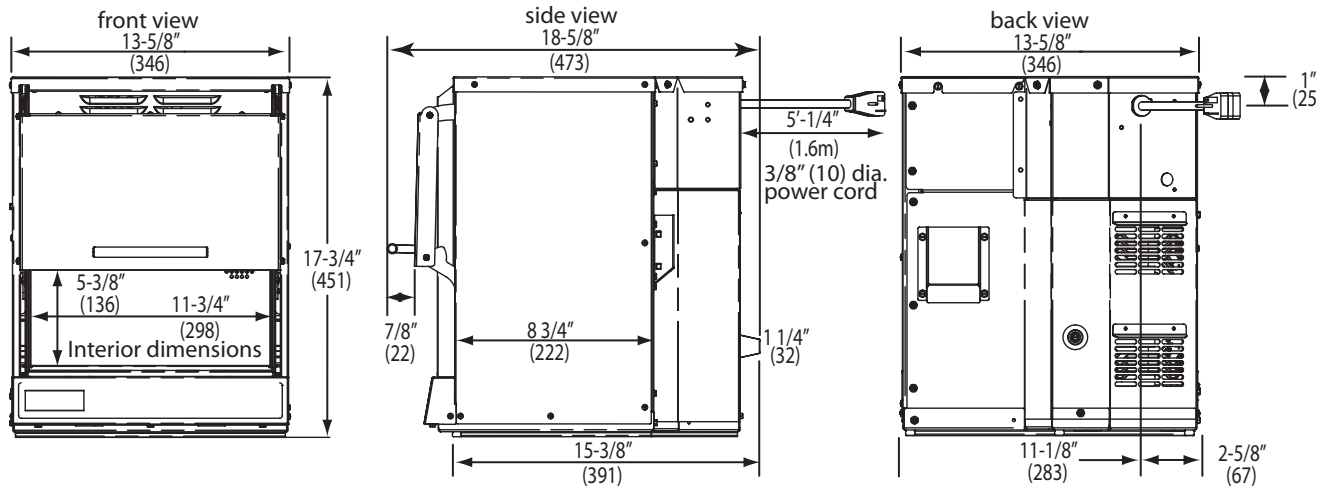
- Fits on prep line.
- Control panel located on bottom for convenient access and angled for easy viewing.
- Plug and play operation.
- Full 2 year warranty.



Made Exclusively for McDonald's® Japan



Commercial Microwave Model MOC5201, MOC5201J/MOC6201J | Heavy Volume



Specifications			
Model	MOC5201	Australia	
	MOC5201J	Japan	
	MOC6201J	Japan	
Configuration	Countertop		
Control System	Touch, angled for easy viewing		
Programmable Control Pads	10		
Total Programmable Settings	100		
Max. Cooking Time	10:00		
Power Levels	11		
Defrost	Yes		
Microwave Distribution	Rotating antennas		
Magnetrons	2		
Display	LED		
Stackable	Yes		
Stage Cooking	Yes, 4		
Door Opening	Automatic opening		
Signal	Door automatically opens at end of cycle		
Exterior Dimensions	D** 473 (18 5/8")	W 346 (13 5/8")	H 451 (17 3/4")
Cavity Dimensions	D 222 (8 3/4")	W 298 (11 3/4")	H 136 (5 3/8")
Usable Cavity Space	9 liters (.319 cubic ft.)		
Exterior Finish	Stainless steel		
Interior Finish	Stainless steel		
Power Consumption	2650 W, 13.25 A		
Power Output*	2000 W* Microwave		
Power Source	MOC5201	230V, 50 Hz, 16 A single phase	
	MOC5201J	200V, 50 Hz, 16 A single phase	
	MOC6201J	200V, 60 Hz, 16 A single phase	
Plug Configuration / Cord			
	MOC5201	Meltric DS3	133 (5 1/4")
	MOC5201J/MOC6201J	20 A Twist Lock	133 (5 1/4")
Frequency	2450 MHz		
Product Weight	32 kg. (70 lbs.)		
Ship weight (approx.)	33 kg. (73 lbs.)		
Shipping Carton Size	H 524 (20 5/8")	W 432 (17")	H 559 (22")

Specifications

Microwave oven door shall automatically open when cooking cycle is complete. Door shall remain open until ready to cook next item. To minimize space usage, door shall open upwards. Control pad shall be angled for easy viewing and located so door can be closed and control pad pushed in one ergonomic motion. Control pad shall be programmable with the ability to program up to 100 menu items, single or double digit entry. There shall be 11 power levels including defrost mode, and 4 cooking stages. Microwave shall have a 10-minute digital countdown timer. Microwave output shall be 2000 watts. Top and bottom magnetrons with rotating antennas shall provide uniform heat distribution throughout the cavity. Oven shall be stackable and have a compact, "jigsaw" shaped footprint for back-to back placement on a 724 mm (28 1/2") shelf or countertop using only 346mm (13 5/8"). Oven cavity shall be stainless steel construction with stainless oven door. Bottom of .9 liters (.319 cubic ft.) cavity shall be ceramic plate with a high temperature, cleanable seal.

Warranty

Full 2 year warranty:
 Years 1 - 2 - parts, labor, and travel are covered.
 Year 3 - magnetron tube (part only) is covered.



Measurements are in mm.

* IEC 60705 Tested

** Includes handle

