



OC5241BK shown with door open

Heavy Volume Commercial Microwave Model OC5241BK

Power Output

- 2400 watts of power for high power density
- Top and bottom magnetrons.

Increased Productivity

- Short cook times.
- Door automatically opens to save service time.
- Closing door and pushing control pad is one operator motion.
- Door design does not interfere with kitchen flow.
- Small, "jigsaw" shaped footprint allows for back-to-back placement on a 724 mm (28 1/2") shelf using only 346 mm (13 5/8") of space. A shelf extender accessory attaches to an existing shelf to extend it out to 724 mm (28 1/2"). Accessory sold separately.



Heavy Volume This microwave is ideal for Burger King...

Pre-programmed menu items:

- Pad 1 - 4 seconds
- Pad 2 - 6 seconds
- Pad 3 - 9 seconds
- Pad 4 - 40 seconds
- Pad 5 - 20 seconds
- Pad 6 - 30 seconds
- Pad 7 - 48 seconds at 90% power
- Pad 8 - 50 seconds

Location of oven(s):

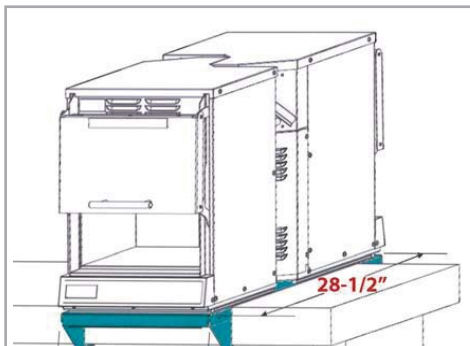
- kitchen shelf, single or back-to-back
- kitchen counter

Easy to Use and Maintain

- Clears space on prep board shelf for other products.
- Control panel located on bottom for convenient access and angled for easy viewing.
- Plug and play operation.
- Limited 3 year warranty.



Door extends out for easy cleaning.

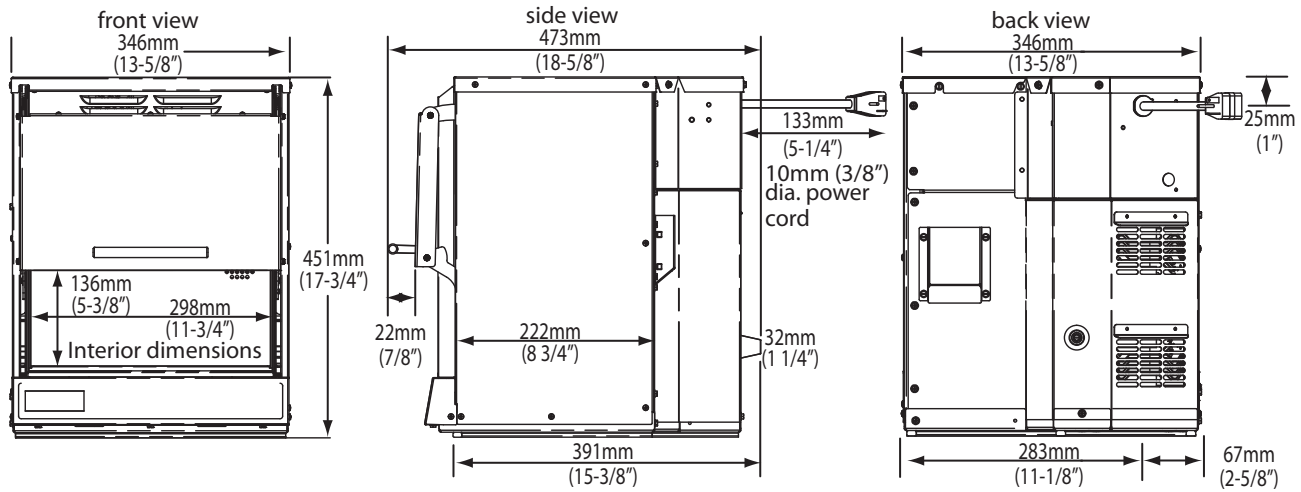


Two units fit back-to-back on a 724 mm (28 1/2") shelf.




Conveniently located control panel is angled for easy viewing

Commercial Microwave Model OC5241BK | Heavy Volume



Specifications

Model	OC5241BK	UPC Code 705105607207
Configuration	Countertop or shelf	
Control System	Touch, angled for easy viewing	
Programmable Control Pads	10	
Total Programmable Settings	100	
Max. Cooking Time	10:00	
Power Levels	11	
Defrost	Yes	
Microwave Distribution	Rotating antennas	
Magnetrons	2	
Display	LED	
Stackable	Yes	
Stage Cooking	Yes, 4	
Door Opening	Automatic opening	
Signal	Door automatically opens at end of cycle	
Exterior Dimensions	D** 473 (18 5/8") W 346 (13 5/8") H 451 (17 3/4")	
Cavity Dimensions	D 222 (8 3/4") W 298 (11 3/4") H 136 (5 3/8")	
Usable Cavity Space	.009m ³ (.319 cubic ft.)	
Exterior Finish	Stainless steel	
Interior Finish	Stainless steel	
Power Consumption	3100 W	
Power Output*	2400 W* Microwave	
Power Source	230V, 50 Hz, 16 A single phase	
Plug Configuration / Cord	CEE 7/7 "Schuko" 133mm (5 1/4")	
Frequency	2450 MHz	
Product Weight	32 kg. (70 lbs.)	
Ship weight (approx.)	33 kg. (73 lbs.)	
Shipping Carton Size	H 524mm (20 5/8") W 432mm (17") H 559mm (22")	

Measurements in () are U.S. Standard. Measurements not specified are in mm.

* IEC 705 Tested

** Includes handle

Specifications

Microwave oven door shall automatically open when cooking cycle is complete. Door shall remain open until ready to cook next item. To minimize space usage, door shall open upwards. Control pad shall be angled for easy viewing and located so door can be closed and control pad pushed in one ergonomic motion. Control pad shall be programmable with the ability to program up to 100 menu items, single or double digit entry. There shall be 11 power levels including defrost mode, and 4 cooking stages. Microwave shall have a 10-minute digital count-down timer. Microwave output shall be 2400 watts. Top and bottom magnetrons with rotating antennas shall provide uniform heat distribution throughout the cavity. Oven shall be stackable and have a compact, "jigsaw" shaped footprint for back-to-back placement on a 724 mm (28 1/2") shelf or countertop using only 346mm (13 5/8"). Oven cavity shall be stainless steel construction with stainless oven door. Bottom of .009m³ .319 cubic ft. cavity shall be ceramic plate with a high temperature, cleanable seal. Oven shall be CE Listed.



Accessory (sold separately)

Shelf extender (OS10) attaches to an existing shelf to extend it out to 724mm (28 1/2") for back-to-back installation.

Warranty

Limited 3 year warranty:

Year 1 – parts, labor and travel are covered

Year 2 - all parts are covered

Year 3 - magnetron tube (part only) is covered

Patents Pending