

# MENUMASTER<sup>®</sup> Commercial



OC5241BK shown with door open

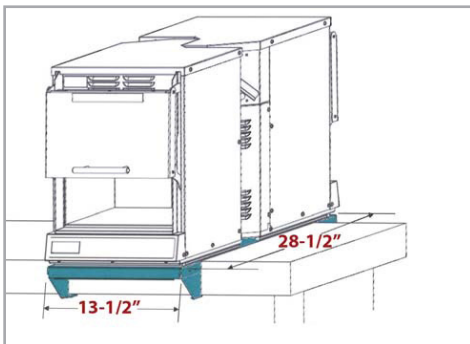
## Heavy Volume This microwave is ideal for Burger King...

### Pre-programmed menu items:

- Pad 1 - 4 seconds
- Pad 2 - 6 seconds
- Pad 3 - 9 seconds
- Pad 4 - 40 seconds
- Pad 5 - 20 seconds
- Pad 6 - 30 seconds
- Pad 7 - 48 seconds at 90% power (OC5241BK)  
50 seconds at 90% power (OC524T1BK)
- Pad 8 - 50 seconds (OC5241BK)  
0 seconds (OC524T1BK)

### Location of oven(s):

- kitchen shelf, single or back-to-back
- kitchen counter



Two units fit back-to-back on a 724 mm (28 1/2") shelf.

## Heavy Volume Commercial Microwave Model OC5241BK/OC524T1BK

### Power Output

- 2400 watts of power for high power density
- Top and bottom magnetrons.

### Increased Productivity

- Short cook times.
- Door automatically opens to save service time.
- Closing door and pushing control pad is one operator motion.
- Door design does not interfere with kitchen flow.
- Small, "jigsaw" shaped footprint allows for back-to-back placement on a 724 mm (28 1/2") shelf using only 346 mm (13 5/8") of space. A shelf extender accessory attaches to an existing shelf to extend it out to 724 mm (28 1/2"). Accessory sold separately.



### Easy to Use and Maintain

- Clears space on prep board shelf for other products.
- Control panel located on bottom for convenient access and angled for easy viewing.
- Plug and play operation.
- Limited 3 year warranty.



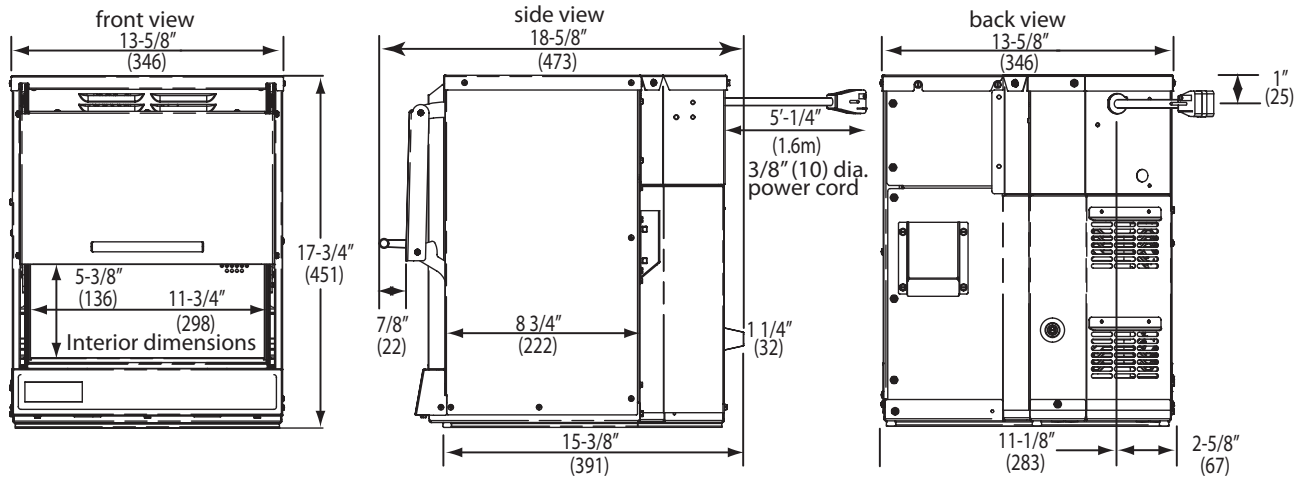
Door extends out for easy cleaning.



Conveniently located control panel is angled for easy viewing



# Commercial Microwave Model OC5241BK/OC524T1BK | Heavy Volume



Specifications			
Model	OC5241BK	UPC Code 705105607207	
	OC524T1BK	UPC Code	
Configuration	Countertop		
Control System	Touch, angled for easy viewing		
Programmable Control Pads	10		
Total Programmable Settings	100		
Max. Cooking Time	10:00		
Power Levels	11		
Defrost	Yes		
Microwave Distribution	Rotating antennas		
Magnetrons	2		
Display	LED		
Stackable	Yes		
Stage Cooking	Yes, 4		
Door Opening	Automatic opening		
Signal	Door automatically opens at end of cycle		
Exterior Dimensions	H 451 (17 3/4")	W 346 (13 5/8")	D** 473 (18 5/8")
Cavity Dimensions	H 136 (5 3/8")	W 298 (11 3/4")	D 222 (8 3/4")
Usable Cavity Space	9 liter (.319 cubic ft.)		
Exterior Finish	Stainless steel		
Interior Finish	Stainless steel		
Power Consumption	3100 W		
Power Output*	2400 W* Microwave		
Power Source	230V, 50 Hz, 16 A single phase		
Plug Configuration / Cord			
	OC5241BK	CEE 7/7 "Schuko"	133mm (5' 1/4") ☺
	OC524T1BK	CEE 2P + E	133mm (5' 1/4") ☺
Frequency	2450 MHz		
Product Weight	32 kg. (70 lbs.)		
Ship weight (approx.)	33 kg. (73 lbs.)		
Shipping Carton Size	H 524 (20 5/8")	W 432 (17")	D 559 (22")

## Specifications

Microwave oven door shall automatically open when cooking cycle is complete. Door shall remain open until ready to cook next item. To minimize space usage, door shall open upwards. Control pad shall be angled for easy viewing and located so door can be closed and control pad pushed in one ergonomic motion. Control pad shall be programmable with the ability to program up to 100 menu items, single or double digit entry. There shall be 11 power levels including defrost mode, and 4 cooking stages. Microwave shall have a 10-minute digital count-down timer. Microwave output shall be 2400 watts. Top and bottom magnetrons with rotating antennas shall provide uniform heat distribution throughout the cavity. Oven shall be stackable and have a compact, "jigsaw" shaped footprint for back-to back placement on a 724 mm (28 1/2") shelf or countertop using only 346mm (13 5/8"). Oven cavity shall be stainless steel construction with stainless oven door. Bottom of 9 liter .319 cubic ft. cavity shall be ceramic plate with a high temperature, cleanable seal. Oven shall be ETL Listed.

## Accessory (sold separately)

Shelf extender (OS10) attaches to an existing shelf to extend it out to 724mm (28 1/2") for back-to-back installation.

## Warranty

Limited 3 year warranty:  
 Year 1 – parts, labor and travel are covered  
 Year 2 - all parts are covered  
 Year 3 - magnetron tube (part only) is covered



Measurements in ( ) are U.S. Standard. Measurements not specified are in mm.

\* IEC 705 Tested  
 \*\* Includes handle



Patents Pending