

# INSTRUCTION SHEET

# 16200045

**Description:** Harness Repair Kit # 12002722 for RFS12"A" and RCS10"A" electronic control models

Serial Numbers XXXXXXXXEJ (May 2004) thru XXXXXXXXGX (December 2005)

**NOTE:** This kit should be used to repair burned wires or spade connections at Interlock Primary Switch or Cavity TCO terminals.

**Contents:**

- 1 – Interlock Switch Assembly
- 1 – Harness
- 1 – Cavity Thermal Cutout
- 1 – 16200045 Instruction Sheet

## Procedure:

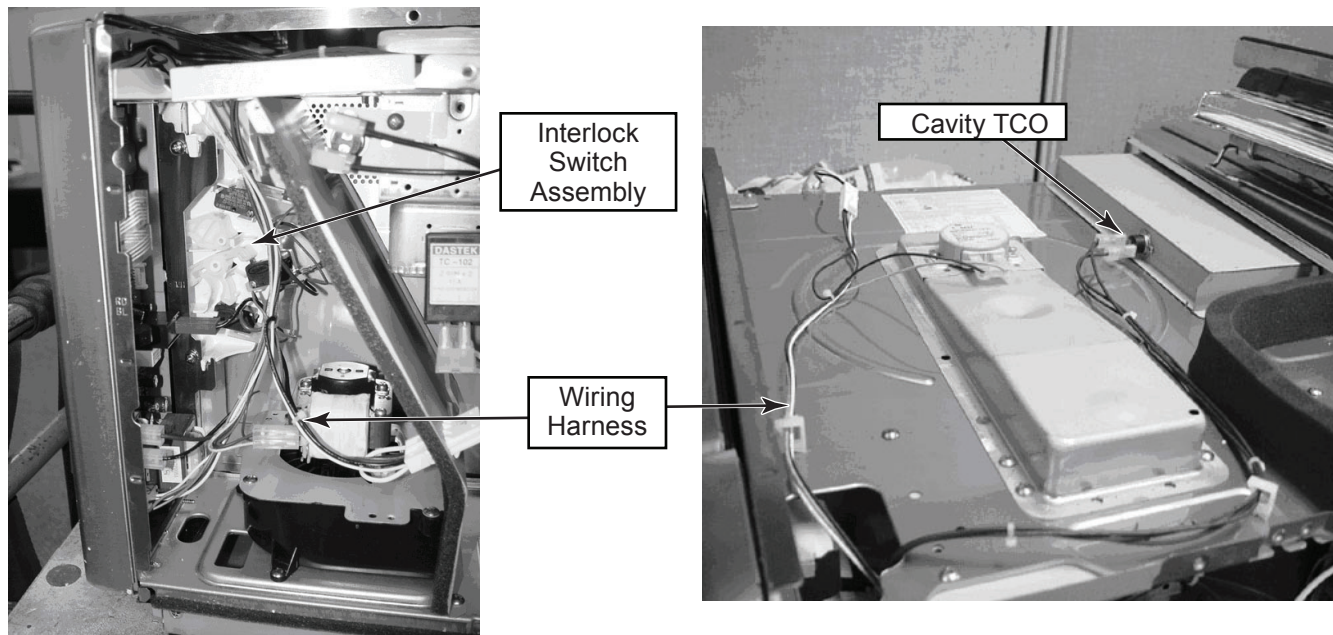


Illustration 1

Illustration 2

1. Remove outercase wrapper.
2. Attach new harness to new interlock switch and cavity thermal cutout. (See Illustrations.)
3. Remove old interlock switch assembly, cavity thermal cutout, and main harness.
4. Install new wiring harness, interlock assembly, and cavity thermal cutout.
5. Install outercase wrapper.
6. Check oven operation.

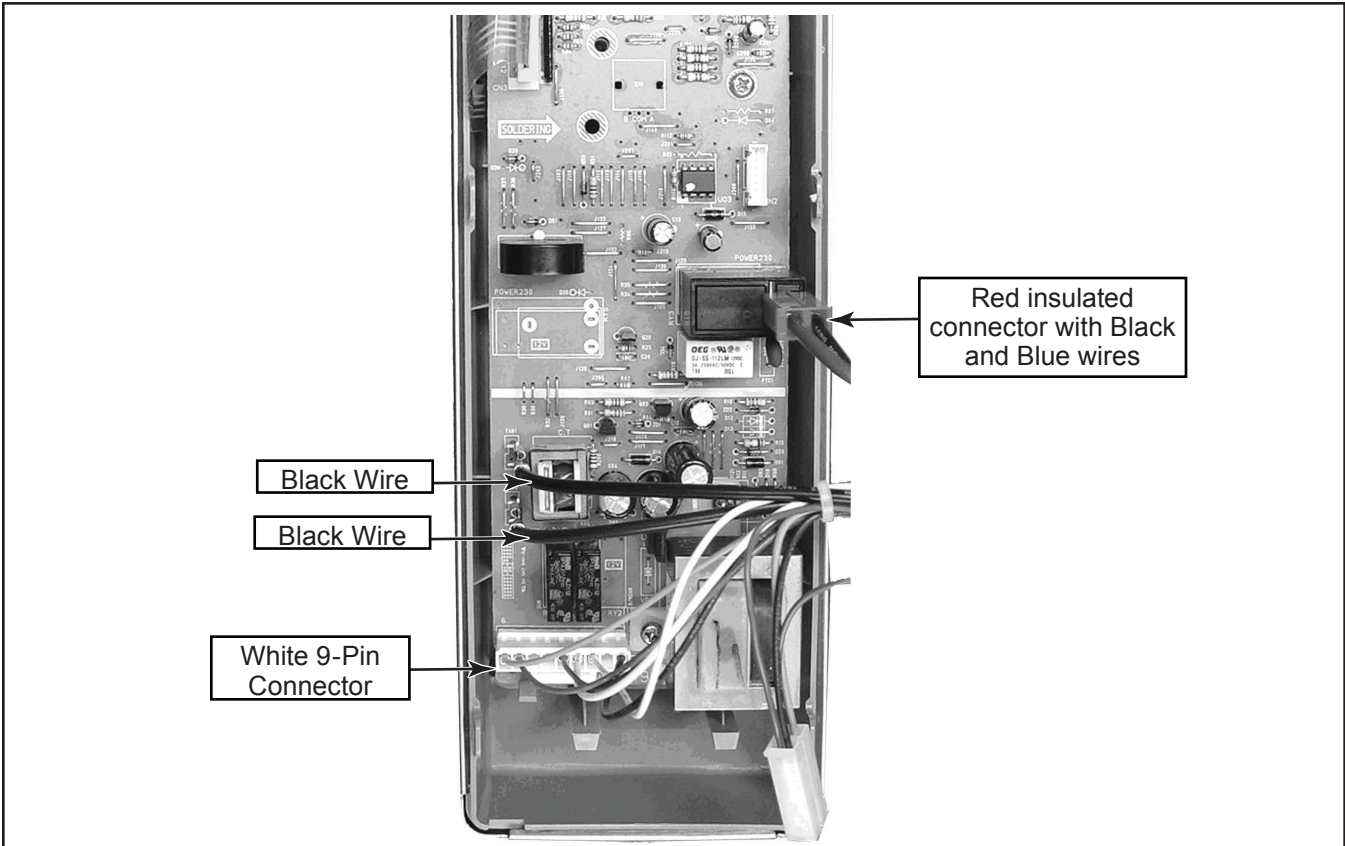


Illustration 3

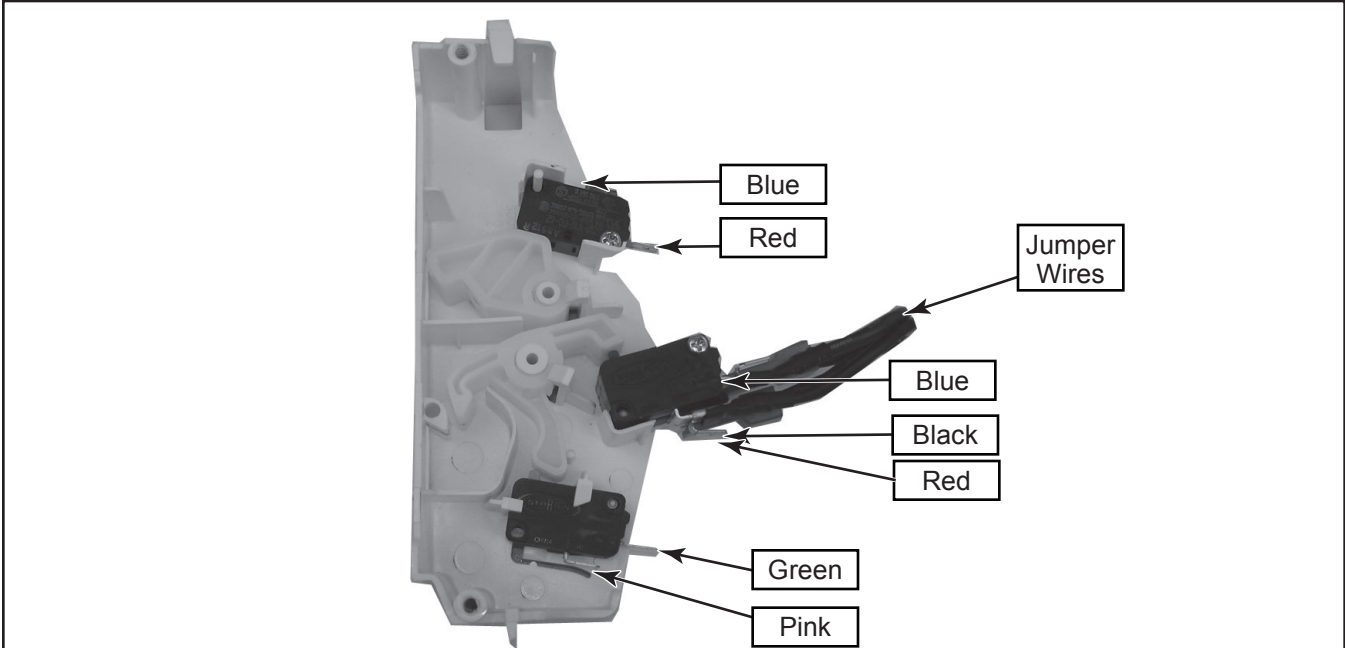


Illustration 4