

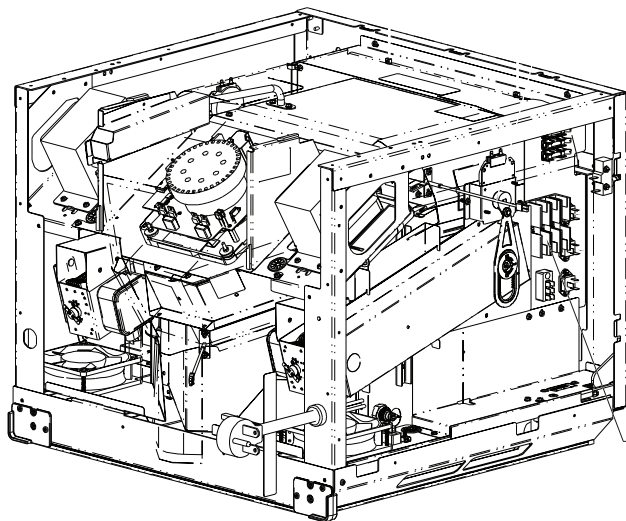
# INSTRUCTION SHEET

# 16200039

**Description:** Fuse Kit (AXP / MXP) # 14090030

**Contents:**  
1 – Fuse 25A  
1 – Power Relay  
1 – Monitor Relay Board  
1 –16200039 Instruction Sheet

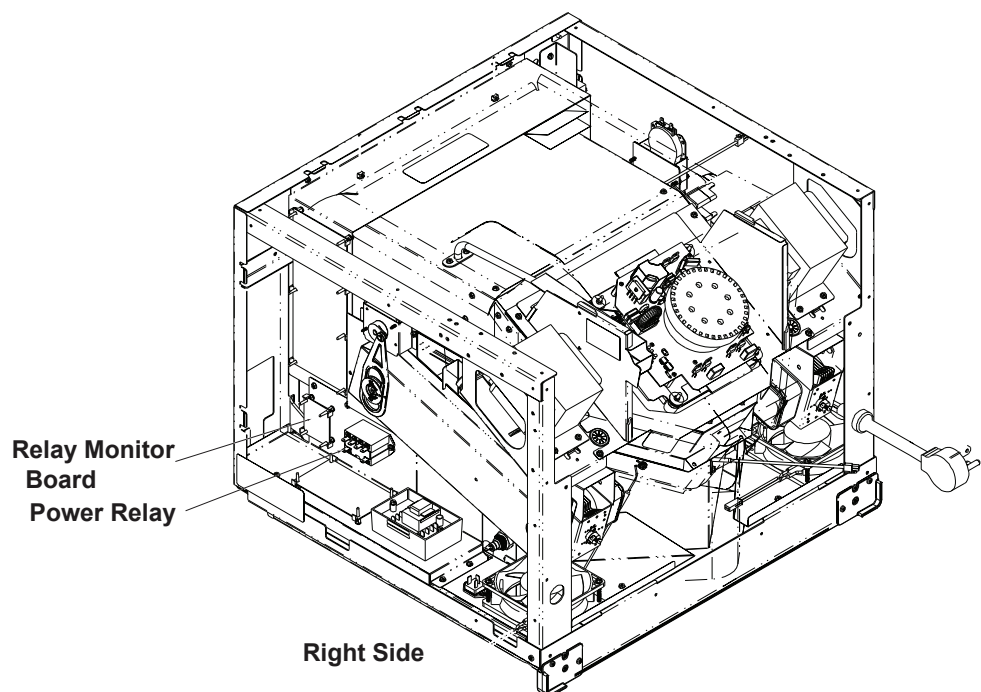
1. Replace large (F1) 25 amp fuse.
2. Replace Power Relay.
3. Replace Monitor Relay Board.



Left Side

Large Fuses  
F1,F5,F6 (25 amp)

F1 - Main Fuse  
F5 - Convection Heater  
F6 - Radiant Heater



Right Side