

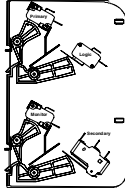
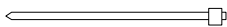

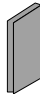

Instruction Sheet

16023113

Description: Interlock Switch Kit

Repair Part Number: R0000277

Kit includes:

 12552501 Switch Assembly	 M0321202 Wire Tie	 12382602 Shim .06 in or 1.5 mm	 12019302 Shim .03 in or .75 mm	 16023113 Instruction Sheet
--	---	---	---	---

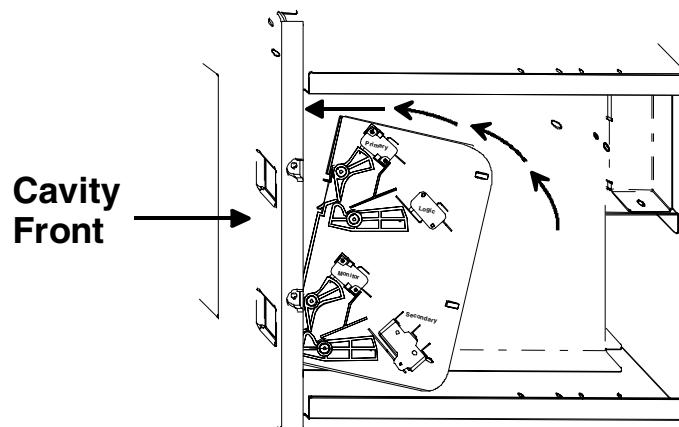


WARNING

To avoid risk of electrical shock, personal injury or death; disconnect electrical power before servicing.

Procedure:

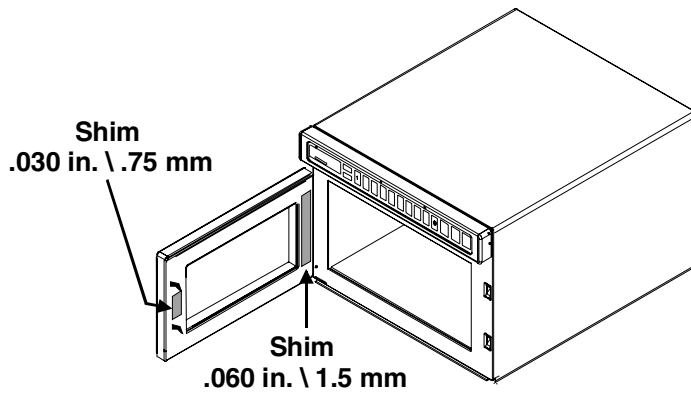
1. Remove and retain two (2) screws securing switch to cavity. Remove switch.
2. Position new switch assembly 12552501 into cavity opening.
 - First, insert bottom ramp of switch into bottom opening.
 - Tilt switch upward and insert top ramp of switch into top opening.
 - Be sure both ramps are fully protruded through the front frame of cavity.



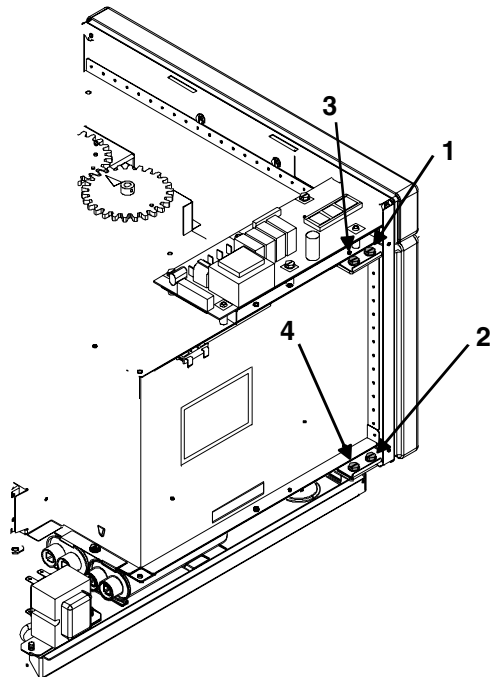
3. Loosely install screws removed in step 1.
4. Push and hold switch assembly towards front of oven and tighten screws.
5. Transfer wires to new switch using diagram on page 4 of these instructions.
6. **Install four (4) wire ties as indicated in diagram on page 3. All four wire ties must be installed.**

IMPORTANT: It is necessary to adjust the door assembly for correct switch function.

7. Tape shims 12382602 and 12019302 to door, as shown.



8. With door closed, loosen door hinge bolts 1/2 turn.
9. Lift upward on door, using the door handle.
10. With left hand, clamp door to cavity on hinge side of door.
11. While holding door in place, tighten hinge bolts in the order shown.



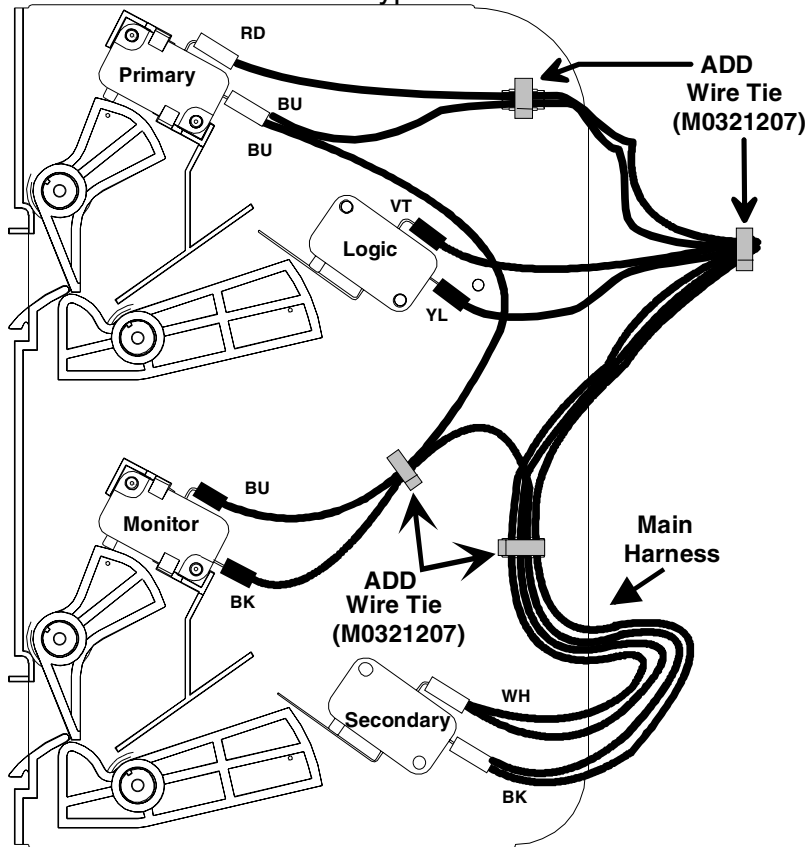
12. Open and close door several times to check switch operation.

NOTE: If switches do not activate, check condition and alignment of door and hinges.

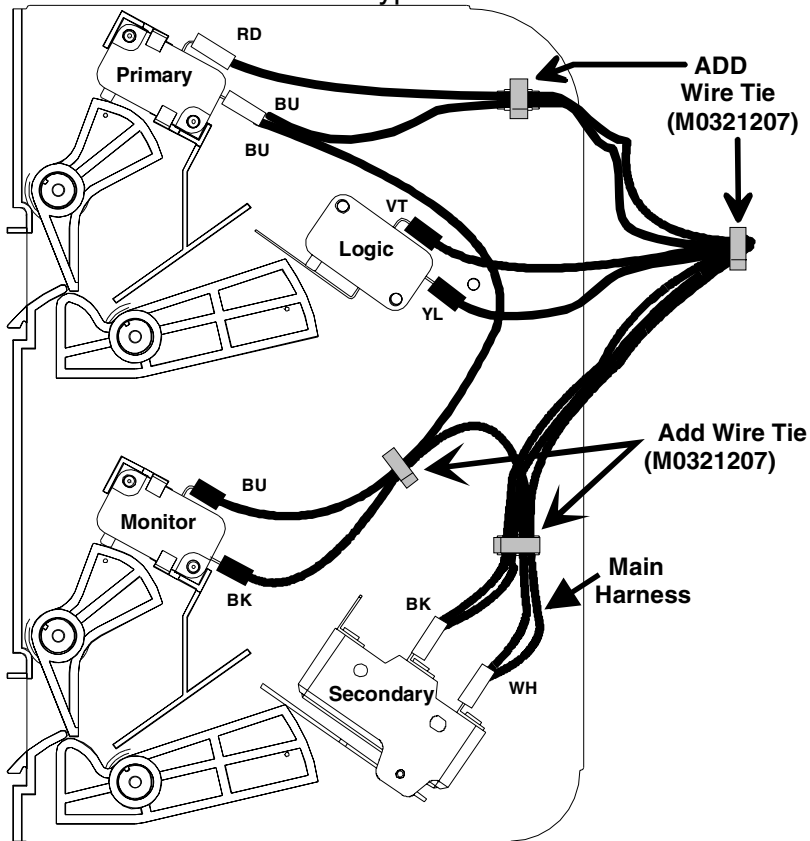
13. Remove shims.
14. Place page 3 and 4 of these instructions in the oven alongside the wiring / schematic diagram.

New Switch Wiring

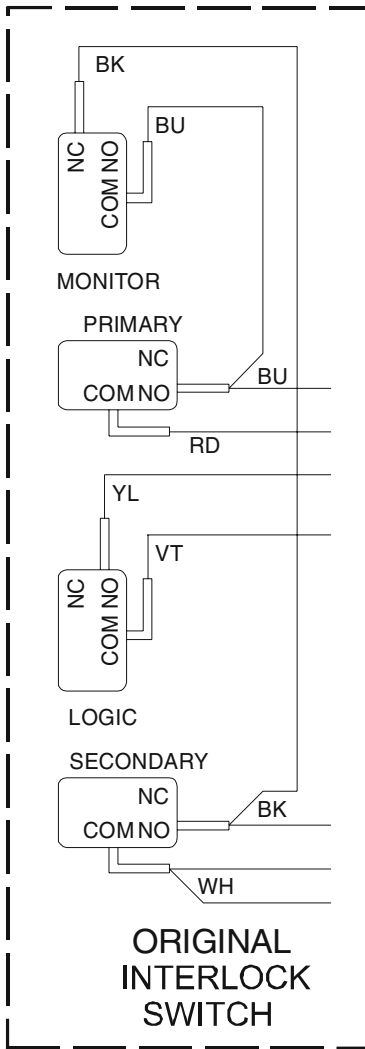
Type 1



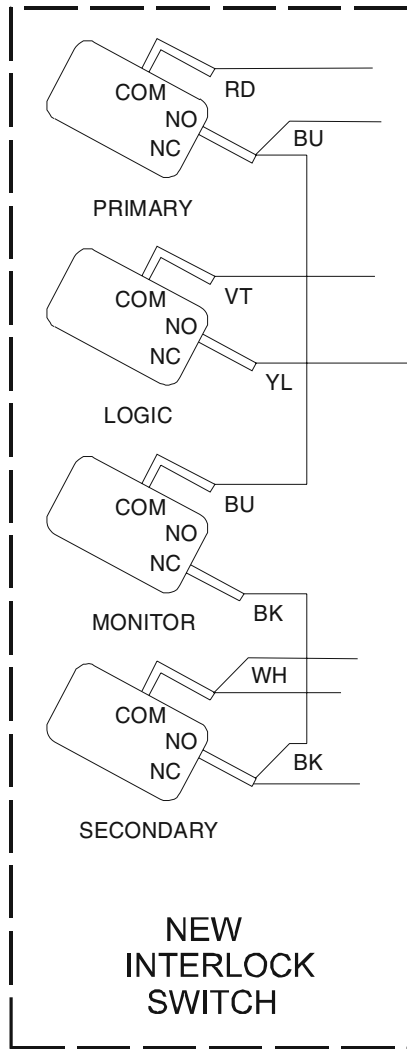
Type 3



Type 1



Type 2



Type 3

