

MENUMASTER[®] Commercial



Model CCA1400 shown

Heavy Volume | Combination Cooking MenuMaster CCA1400 Commercial Oven

Power Output

- Convection:
 - 2700 W
 - 65° -250° C (150° - 475° F) temperature range
 - Convected air by fan for enhanced toasting and browning
- Microwave:
 - 1400 W
 - Heats quickly, reduces cooking time

Cuts Costs

- Uses less energy than a conventional oven.
- Eliminates need for pre-cooking and holding.
- Uses quarter size metal trays, pans and screens.

Simplifies Cooking

- Touch pad operation for consistent results.
- Controls are intuitive and simple to use.
- Stores up to 100 menu items.
- Four stage cooking option.
- 34 liter (1.2 cubic ft.) oven capacity.
- Door opens 90°+ for full access to the oven cavity.

Easy to Use and Maintain

- Stainless steel door and interior, painted exterior
- Stationary, cleanable air filter and clean filter reminder protect oven components.
- CQC Listed.

4 times faster than conventional ovens.

Heavy Volume | Combination Cooking This category of combination oven is ideal for...

Application:

- Wine bars
- Pubs
- Kiosks
- Supermarkets
- Country club,
- Bakery/cafés
- Convenience stores

Through put potential:

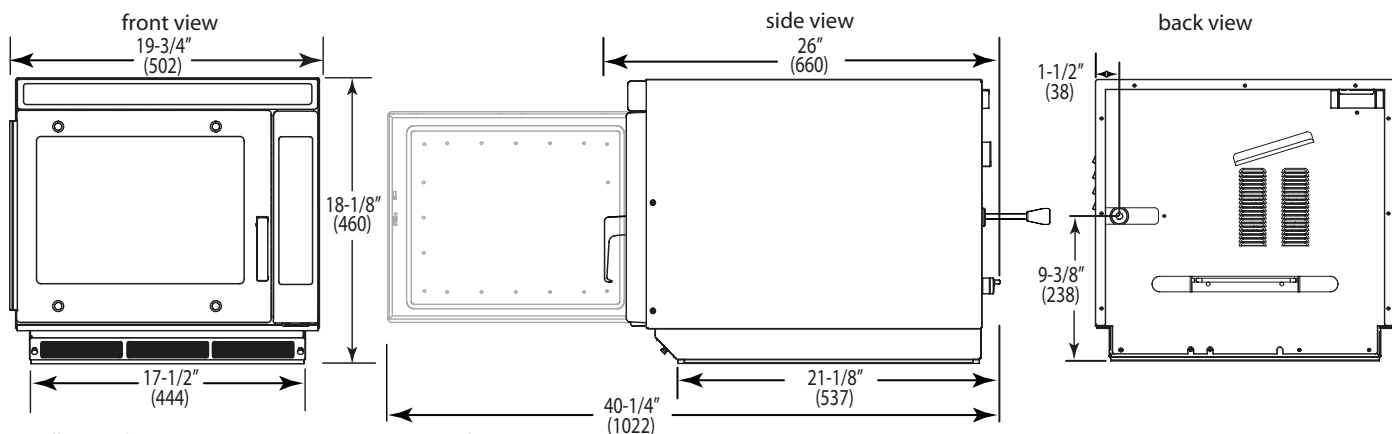
- 152 mm toasted sub sandwiches, 50 per hour
- 1 portion of 4 frozen crispy chicken wings, 25 portions (84 wings) per hour
- 1 frozen pre-baked fruit filled pastry, 20 per hour
- 305 mm frozen pizza, 10 per hour
- 1 frozen, pre-baked fruit filled pastry, 20 per hour

Location of oven(s):

- Kitchen shelf
- Kitchen countertop, single or stacked
- Equipment stand, single or stacked



MenuMaster CCA1400 Commercial Microwave Heavy Volume | Combination Cooking



Installation Clearance: 2" (50.8) top, 1 1/4" (31.75) sides

Drawings available from KCL CADlog - techs@kclcad.com

Specification #:

Specifications			
Model	CCA1400	UPC Code 728028129328	
Cooking Power*	2700W	1400W	
	Convection	Microwave	
Configuration	Countertop		
Control System	Touch		
Programmable Control Pads	10		
Total Programmable Settings	100		
Power Levels	11		
Max. Cooking Time	20:00		
Stackable	Yes		
Time Entry Option	Yes		
Microwave Distribution	Rotating antenna, top		
Magnetrons	1		
Display	LED-backlit LCD		
Stage Cooking	Yes, 4		
Door Opening	Lift and pull handle		
EZ Card Menu Management	Yes		
Temperature Range	70° - 250°C (150° - 475°F)		
Air Filter	Yes, stationary, with clean filter reminder		
Fan Speed	0-100%		
Rack	3 rack positions, removable		
Exterior Dimensions	H 460 (18 1/8")	W 502 (19 3/4")	D** 660 (26")
Cavity Dimensions	H 267 (10 1/2")	W 330 (13")	D 381 (15")
Door Depth	1022 (40 1/4"), 90°+ door open		
Usable Cavity Space	34 liter (1.2 cubic ft.)		
Exterior Finish	Painted, Stainless Steel Door		
Interior Finish	Stainless Steel		
Power Consumption	3000 W		
Power Output*	1400 W* Microwave		
Power Source	230 V, 50 Hz, 13 A single phase		
Plug Configuration / Cord	CHINA	1.5 m (5 ft.)	
Frequency	2450 MHz		
Product Weight	43 kg (95 lbs.)		
Ship weight (approx.)	46 kg (102 lbs.)		
Shipping Carton Size	H 718 (28 1/4")	W 553 (21 3/4")	D 546 (21 1/2")

Specifications

Oven shall combine two cooking modes: convection and microwave for high speed cooking. Control panel shall be programmable with the ability to program up to 100 menu items, single or double digit entry. There shall be 11 power levels and 4 cooking stages. Microwave output shall be 1400 watts and distributed from the top of the cavity. The 2700 watt convection oven shall provide a temperature range from 70° - 250°C (150° - 475°F) in 25° increments. The convection fan located in the back of the cavity shall distribute the heat throughout the cavity to further enhance browning. Maximum microwave cooking time shall be 20 minutes. Oven shall have a stainless steel door and painted exterior. 34 liter (1.2 cubic ft.) oven cavity shall be stainless steel construction. Interior shall have 3 rack positions. Air filter shall be easily accessible from the front of the oven and have a "clean filter" reminder feature. Oven shall be stackable. Microwave oven shall comply with CQC for safety and sanitation.

Optional Accessories

- Pizza stone
- Drip tray
- Oven paddle



Warranty

Warranty Certificate for this product can be found by locating it on the ACP, Inc. website at:
www.acpsolutions.com/warranty



AIA File #:

Measurements are in millimeters
 * IEC 60705 Tested ** Includes handle

