

# INSTRUCTION SHEET

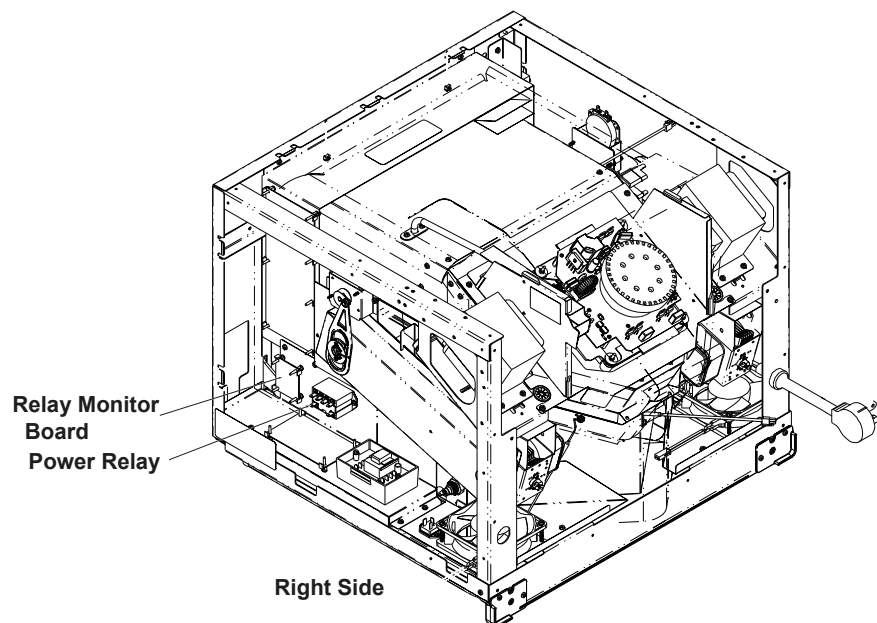
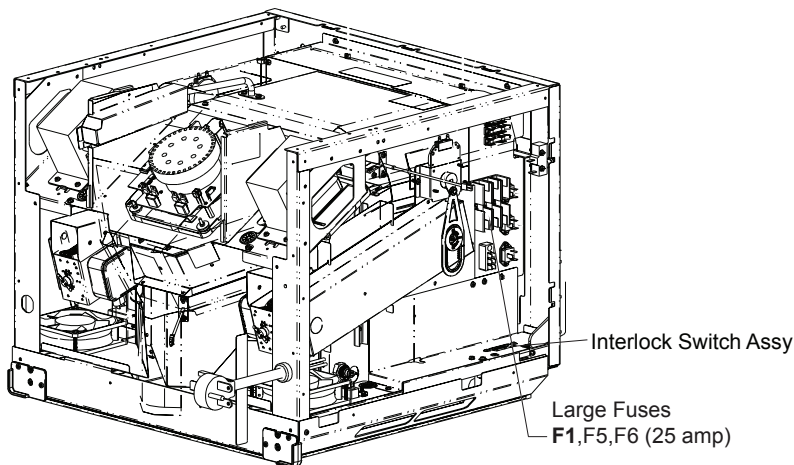
# 16200097

**Description:** Kit, F1 Fuse & Switch # 14119060

**Contents:**

- 1 – Fuse 25A
- 1 – Power Relay
- 1 – Monitor Relay Board
- 1 – Interlock Switch Assembly
- 1 –16200097 Instruction Sheet

1. Replace large (F1) 25 amp fuse.
2. Replace Power Relay.
3. Replace Monitor Relay Board.
4. Replace Interlock Switch Assembly.



ACP, Inc.  
225 – 49TH Avenue Drive SW  
Cedar Rapids, IA 52404

REV. 0  
DATE: 10-14-11  
PART #: 16200097  
Page 1 OF 1