

# International Commercial Microwave—Technical Information

## 230 VAC, 50 Hz Models

**RC5MCTP2**

**P1332824M**

**RC524TS2**

**P1331430M, P1332821M**

**MRC524TS2**

**P1331432M, P1332822M**

- Due to possibility of personal injury or property damage, always contact an authorized technician for servicing or repair of this unit.
- Refer to Service Manual 16022149 for installation, operating, testing, troubleshooting, and disassembly instruction.



### CAUTION

All safety information must be followed as provided in Service Manual 16022149.



### WARNING

To avoid the risk of electrical shock, personal injury or death; disconnect power to oven and discharge capacitor before servicing, unless testing requires power.

<b>Models</b>	<b>RC5MCTP2</b>		<b>RC524TS2</b>		<b>MRC524TS2</b>	
<b>Power Source</b>						
Voltage AC	230 VAC		230 VAC		230 VAC	
Amperage (Single Unit)	16 A		32 A		32 A	
Frequency	50 Hz		50 Hz		50 Hz	
Single Phase, 3 wire grounded	X		X		X	
Plug	IEC309-16 A		IEC309-32 A		IEC309-32 A	
<b>Power Output – Microwave</b>						
Nominal microwave energy (IEC705)	1800 Watts		2400 Watts		2400 Watts	
Minimum temperature rise ( $\Delta T$ )	18°F / 10°C		24°F / 13°C		24°F / 13°C	
Operating Frequency	2450 MHz		2450 MHz		2450 MHz	
<b>Power Consumption</b>						
Microwave only	2950 Watts / 12.8 A		3900 Watts / 17 A		3900 Watts / 17 A	
<b>Dimensions</b>						
<b>Cabinet (in cm)</b>						
Width	19 1/4"	49 cm	19 1/4"	49 cm	19 1/4"	49 cm
Height	18 1/4"	46 cm	18 1/4"	46 cm	18 1/4"	46 cm
Depth	26 1/4"	67 cm	26 1/4"	67 cm	26 1/4"	67 cm
<b>Oven Interior (in cm)</b>						
Width	13"	33 cm	13"	33 cm	13"	33 cm
Height	8 1/2"	22 cm	8 1/2"	22 cm	8 1/2"	22 cm
Depth	15"	38 cm	15"	38 cm	15"	38 cm
<b>Weight</b>						
Uncrated	94 lbs.	42.6 Kg	94 lbs.	42.6 Kg	94 lbs.	42.6 Kg
Crated	101 lbs.	45.8 Kg	123 lbs.	56 Kg	123 lbs.	56 Kg

# Component Testing Procedures



To avoid risk of electrical shock, personal injury or death; disconnect power to oven and discharge capacitor before servicing, unless testing requires power.

Illustration	Component	Test	Results
	Thermal cutout	Disconnect all wires from TCO. Measure resistance across terminals. Magnetron TCO ..... Cavity TCO .....	Open at 300°F (149°C) and closed at 257°F (125°C) Opens at 262°F (128°C)
	Diode	<b>Discharge Capacitor</b>  Remove diode lead from capacitor and connect ohmmeter.  Reverse leads for second test.	Infinite resistance should be measured in one direction and 50KΩ or more in the opposite direction.  <b>NOTE:</b> Ohmmeter must contain a battery of 6 volts minimum.
	Triac	<b>Resistance Check</b> Disconnect wires to triac.  Measure resistance from: MT1 to MT2 ..... MT1 to Gate ..... MT2 to Gate ..... All terminals to ground .....	<b>Caution - Do not operate oven with wire to terminal MT2 removed.</b>  Infinite Approximately 60 Ω Infinite Infinite
Triac 1 (center) Triac 2 (left) Triac 3 (right)		<b>Voltage Check</b> Measure voltage from: MT1 to Gate	0.8 VAC when energized. If no voltage, check H.V. board and wiring.
	Capacitor  Some units may use more than one type of capacitor. Refer to Parts Manual for correct capacitor quantity.	<b>Discharge Capacitor</b>  Remove wires from capacitor terminals and connect ohmmeter, set on highest resistance scale to terminals.  Also check between each terminal and capacitor case.	Between Terminals: Meter should momentarily deflect towards zero then return to over 5 MΩ. If no deflection occurs, or if continuous deflection occurs, replace capacitor.  Terminal to Case: Infinite resistance
	Snubber assembly	Disconnect wires to snubber.  Measure resistance across terminals .....	Infinite
	Magnetron	<b>Discharge Capacitor</b>  Remove wires from magnetron and connect ohmmeter to terminals. Also check between each terminal and ground.	Between Terminals: Less than 1 Ω  Each terminal to ground measures Infinite resistance. <b>Note:</b> This test is not conclusive. If oven does not heat and all other components test good replace the magnetron and retest.
	Blower motor	Remove all wires from motor.  Measure resistance across coil .....	Approximately 25 Ω

# Component Testing Procedures

## ⚠ WARNING

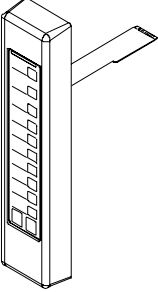
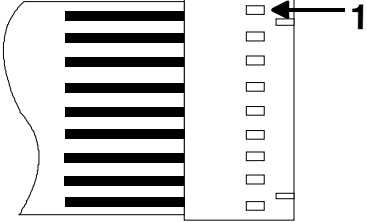
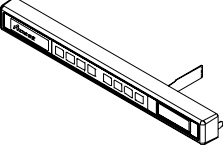
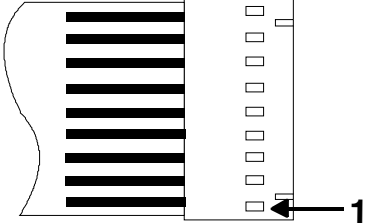
To avoid risk of electrical shock, personal injury or death; disconnect power to oven and discharge capacitor before servicing, unless testing requires power.

Illustration	Component	Test	Results
	Transformer	<p><b>Discharge Capacitor</b> Remove all wires from terminals.</p> <p>Measure resistance from:</p> <p>230 to COM..... 208 to COM..... 230 to Ground..... 208 to Ground..... Terminal 5 to 6..... Terminal 4 to Ground.....</p>	<p>Less than 1 Ω Less than 1 Ω Infinite Infinite Less than 1 Ω Approximately 70 Ω</p>
	Interlock switch	<p>Disconnect wires to switch.</p> <p>With door open measure resistance from:</p> <p>Terminal 2 to 3..... Terminal 4 to 5..... Terminal 7 to 8.....</p> <p>With door closed measure resistance from:</p> <p>Terminal 2 to 3..... Terminal 4 to 5..... Terminal 7 to 8.....</p>	<p>Infinite Infinite Indicates continuity</p> <p>Indicates continuity Indicates continuity Infinite</p>
	Lamp receptacle	Test continuity of receptacle terminals.	Indicates continuity if bulb is good and screwed in.
	Stirrer motor	<p>Remove all wires from terminals.</p> <p>Measure resistance from:</p> <p>Terminal to terminal.....</p>	Approximately 12K Ω
	Relay  This relay contains a diode in the coil circuit.	<p>Measure resistance from:</p> <p>Terminal 0 to terminal 1 (coil).....</p>	Approximately 6 to 7 MΩ
	Line filter	<p>Disconnect wire from terminals.</p> <p>Measure resistance of the following terminals:</p> <p>White to Blue..... Black to Brown.....</p>	<p>&lt; 1 Ω &lt; 1 Ω</p>
	Terminal block	Visual check.	<p>Verify fuse holding terminals are not damaged. Verify terminals are not damaged.</p>
Refer to Parts Manual for proper power cord part number.	Power cord	Measure resistance of wires.	<p>Continuity should be indicated on each wire. Verify polarity and grounding.</p>

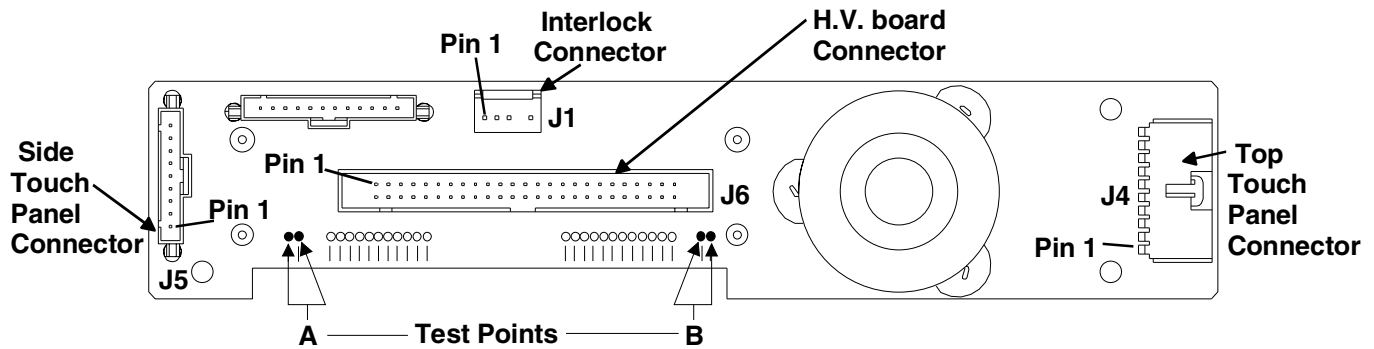
# Component Testing Procedures

## ⚠ WARNING

To avoid risk of electrical shock, personal injury or death; disconnect power to oven and discharge capacitor before servicing, unless testing requires power.

Illustration	Component	Test	Results																																							
	Side touch panel	Continuity is indicated as 100 $\Omega$ and below. 	<table border="1"> <thead> <tr> <th>Pad</th> <th>Trace</th> <th>Measurement</th> </tr> </thead> <tbody> <tr><td>1</td><td>3 &amp; 5</td><td>Continuity</td></tr> <tr><td>2</td><td>3 &amp; 6</td><td>Continuity</td></tr> <tr><td>3</td><td>3 &amp; 7</td><td>Continuity</td></tr> <tr><td>4</td><td>3 &amp; 8</td><td>Continuity</td></tr> <tr><td>5</td><td>3 &amp; 9</td><td>Continuity</td></tr> <tr><td>6</td><td>4 &amp; 5</td><td>Continuity</td></tr> <tr><td>7</td><td>4 &amp; 6</td><td>Continuity</td></tr> <tr><td>8</td><td>4 &amp; 7</td><td>Continuity</td></tr> <tr><td>9</td><td>4 &amp; 8</td><td>Continuity</td></tr> <tr><td>0</td><td>4 &amp; 9</td><td>Continuity</td></tr> <tr><td>Start</td><td>5 &amp; 6</td><td>Continuity</td></tr> <tr><td>Stop/Reset</td><td>6 &amp; 9</td><td>Continuity</td></tr> </tbody> </table>	Pad	Trace	Measurement	1	3 & 5	Continuity	2	3 & 6	Continuity	3	3 & 7	Continuity	4	3 & 8	Continuity	5	3 & 9	Continuity	6	4 & 5	Continuity	7	4 & 6	Continuity	8	4 & 7	Continuity	9	4 & 8	Continuity	0	4 & 9	Continuity	Start	5 & 6	Continuity	Stop/Reset	6 & 9	Continuity
Pad	Trace	Measurement																																								
1	3 & 5	Continuity																																								
2	3 & 6	Continuity																																								
3	3 & 7	Continuity																																								
4	3 & 8	Continuity																																								
5	3 & 9	Continuity																																								
6	4 & 5	Continuity																																								
7	4 & 6	Continuity																																								
8	4 & 7	Continuity																																								
9	4 & 8	Continuity																																								
0	4 & 9	Continuity																																								
Start	5 & 6	Continuity																																								
Stop/Reset	6 & 9	Continuity																																								
	Top touch pane	Removal of touch panel is required to perform test. Continuity is indicated as 100 $\Omega$ and below. 	<table border="1"> <thead> <tr> <th>Pad</th> <th>Trace</th> <th>Measurement</th> </tr> </thead> <tbody> <tr><td>Time Entry</td><td>5 &amp; 7</td><td>Continuity</td></tr> <tr><td>Power Level</td><td>5 &amp; 8</td><td>Continuity</td></tr> <tr><td>Stage</td><td>5 &amp; 9</td><td>Continuity</td></tr> <tr><td>Program Save</td><td>6 &amp; 7</td><td>Continuity</td></tr> <tr><td>Quantity</td><td>6 &amp; 8</td><td>Continuity</td></tr> <tr><td>Menu</td><td>7 &amp; 9</td><td>Continuity</td></tr> <tr><td>Hidden Pad</td><td>8 &amp; 9</td><td>Continuity</td></tr> </tbody> </table>	Pad	Trace	Measurement	Time Entry	5 & 7	Continuity	Power Level	5 & 8	Continuity	Stage	5 & 9	Continuity	Program Save	6 & 7	Continuity	Quantity	6 & 8	Continuity	Menu	7 & 9	Continuity	Hidden Pad	8 & 9	Continuity															
Pad	Trace	Measurement																																								
Time Entry	5 & 7	Continuity																																								
Power Level	5 & 8	Continuity																																								
Stage	5 & 9	Continuity																																								
Program Save	6 & 7	Continuity																																								
Quantity	6 & 8	Continuity																																								
Menu	7 & 9	Continuity																																								
Hidden Pad	8 & 9	Continuity																																								

### Display board



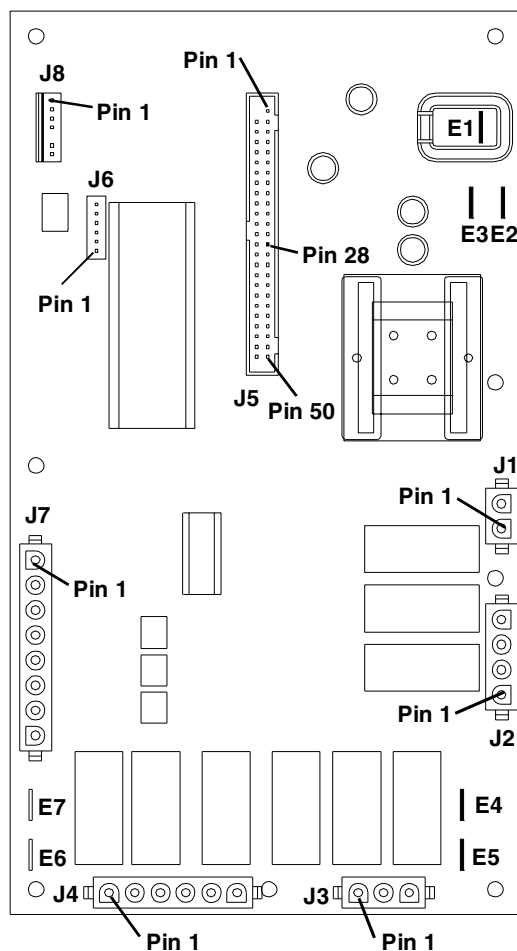
Function	Test Set-Up	Meter Setting	Probe Placement	Results
Input to Display Board	At Display Board	Volts	Test points A and B	<p>3.0 VAC</p> <p>If voltage is present and no display is indicated, replace display board.</p> <p>If no voltage is present, check wire harness connections and H.V. board.</p>

# Component Testing Procedures

## ⚠ WARNING

To avoid risk of electrical shock, personal injury or death; disconnect power to oven and discharge capacitor before servicing, unless testing requires power.

### H.V. board



Function	Test Set-Up	Meter Setting	Probe Placement	Results
Input to H.V. board	At H.V. board	Volts	J1 pin 1 (Brown wire) & J1 pin 2 (White wire)	Line voltage
Output to display board	Disconnect J5 connector, blower runs continuously	Volts	J5 pin 28 & J5 pin 50	- 24 VDC

**NOTE:** For the following test, place oven in Service Test Mode (see page 11).

Relay	Function	Test Set-Up	Meter Setting	Probe Placement	Results
K1 at 230 VAC line voltage	Blower motor Antenna motor Cavity light	Disconnect J2 connector	Ohms	J1 pin 1 (Brown wire) & J2 pin 4	Test mode 5 off - no continuity Test mode 5 on - < 1 Ω

# Component Testing Procedures

## ⚠ WARNING

To avoid risk of electrical shock, personal injury or death; disconnect power to oven and discharge capacitor before servicing, unless testing requires power.

## H.V. Board – Relay Test

### Three Magnetron Models

Relay	Function	Test Set-Up	Meter Setting	Probe Placement	Results
K8	Magnetron 1 (Top rear) at 230 VAC	All wires connected to H.V. board	VAC	E2 (Black wire) & J4 pin 2 (Red wire)	Test mode 1 off - line voltage Test mode 1 on - 0 volts
K4	Magnetron 2 (Top front) at 230 VAC	All wires connected to H.V. board	VAC	E5 (Red wire) & J3 pin 1 (Gray wire)	Test mode 2 off - line voltage Test mode 2 on - 0 volts
K6	Magnetron 3 (Bottom) at 230 VAC	All wires connected to H.V. board	VAC	J4 pin 4 (Black wire) & J4 pin 6 (Black wire)	Test mode 3 off - line voltage Test mode 3 on - 0 volts

**“CALL SERV”** — Will appear in the display when there is a fault occurring with the unit. After servicing the unit, the servicer must reset the service code to remove **“CALL SERV”** from the display.



**1 seconds ON**



**1 seconds ON**

**The display will then be OFF for 5 seconds**

**Unit must be in OFF condition  
or  
INITIAL power up mode.**

**Oven door must be closed.**



**NOTE: Pads will not beep when accessing Service Test Mode.**

**Press Hidden Pad.**



Then **1 3 5 7 9**

**Display will indicate the Service Test Mode.**



1. Enter Service Code by pressing the following pads in order shown: **HIDDEN ENABLE pad, 1 pad, 3 pad, 5 pad, 7 pad, and 9 pad.**
2. Press **0** pad to clear **“CALL SERV”** from the display. Display will indicate **“C L r”**.
3. Press **STOP/RESET** pad to exit Service Test Mode.

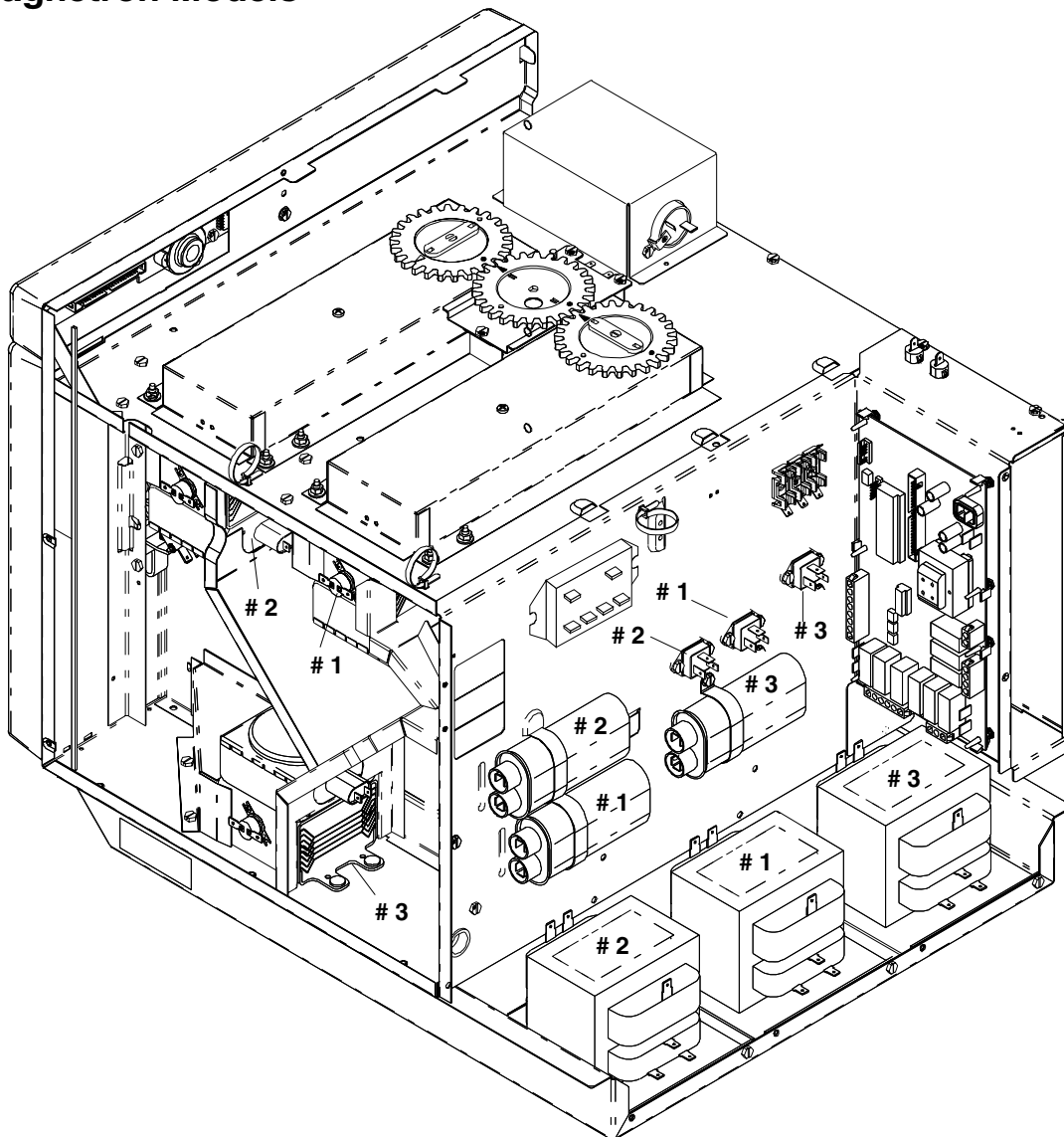
# Component Testing Procedures



## WARNING

To avoid risk of electrical shock, personal injury or death; disconnect power to oven and discharge capacitor before servicing, unless testing requires power.

### Three Magnetron Models



H.V. System # 1	H.V. System # 2	H.V. System # 3
Top Rear Magnetron Center Transformer Bottom Center Capacitor Diode Center Triac	Top Front Magnetron Left Transformer Top Left Capacitor Diode Left Triac	Bottom Magnetron Right Transformer Right Capacitor Diode Right Triac

# Power Testing Procedure



## WARNING

To avoid risk of electrical shock, personal injury or death; disconnect power to oven and discharge capacitor before servicing, unless testing requires power.

All Amana and Menumaster microwave oven power outputs are rated using the IEC705 standards. Using the IEC705 test method requires precision measurements and equipment that is not practical to be performed in the field. Using the test shown below will indicate if the oven performance is satisfactory.

### Test equipment required:

- 1000 ml test container and thermometer (Amana power test kit R0157397 Fahrenheit / Menumaster power test kit M95D5 Celsius).
- Digital watch / watch with a second hand for use on ovens with electromechanical timers.

### Important Notes:

- Low line voltage will cause low temperature rise / power output.
- Ovens must be on a dedicated circuit, properly grounded, and polarized. Other equipment on the same circuit may cause a low temperature rise / power output.
- This test and results are not a true IEC705 test procedure and are only intended to provide servicers with an easy means of determining if the microwave oven cooking output is correct.

### Procedure

1. Fill the test container to the 1000 ml line with cool tap water.

**NOTE:** Water temperature should be approximately 60°F / 16°C.

2. Using the thermometer, stir water for five to ten seconds; measure, and record the temperature (T1).
3. Place test container of water in the center of oven cavity and close door.
4. Heat the water for a 33-second full power cycle.

**NOTE:** Use a digital watch or a watch with a second hand for ovens with electromechanical timers.

5. At end of the cycle, remove test container. Using the thermometer, stir water for five to ten seconds and record temperature (T2).
6. Subtract the starting water temperature (T1), from the ending water temperature (T2) to obtain the temperature rise ( $\Delta T$ ).
7. If the temperature rise ( $\Delta T$ ) meets or exceeds the minimum, the test is complete. If the temperature rise ( $\Delta T$ ) fails to meet the minimum temperature rise, test the line voltage to verify it is correct. Then repeat steps 1 - 6 making sure to change the water. If the temperature rise ( $\Delta T$ ) fails to meet the minimum temperature rise again the oven will require service.

**Minimum Temperature Rise at Thirty -Three (33) Seconds Run Time**

$\Delta T$ (°F)	Cooking Power Output	$\Delta T$ (°F)	Cooking Power Output	$\Delta T$ (°C)	Cooking Power Output	$\Delta T$ (°C)	Cooking Power Output
10.....	1000	20.....	2000	5 .....	1000	11.....	2000
11.....	1100	21.....	2100	5.5 .....	1100	11.5.....	2100
12.....	1200	22.....	2200	6.5 .....	1200	12.....	2200
14.....	1400	24.....	2400	7.5 .....	1400	13.....	2400
17.....	1700	25.....	2500	9.5 .....	1700	13.5.....	2500
18.....	1800	27.....	2700	10 .....	1800	15.....	2700
19.....	1900	30.....	3000	10.5 .....	1900	16.5.....	3000

# Diagnostics Procedures



## WARNING

To avoid risk of electrical shock, personal injury or death; disconnect power to oven and discharge capacitor before servicing, unless testing requires power.



## CAUTION

All repairs as described in this troubleshooting section are to be performed only after the caution procedures one through eight listed below have been followed.

1. Check grounding before checking for possible causes.
2. Be careful of the high voltage circuit.
3. Discharge high voltage capacitor.
4. When checking the continuity of the switches or the high voltage transformer, disconnect one lead wire from these parts and then check continuity with the AC plug removed. To do otherwise may result in a false reading or damage to your meter.
5. Do not touch any parts of the circuitry on the P.C. Board circuit since static electric discharge may damage this control panel. Always touch yourself to ground while working on this panel to discharge any static charge in your body.
6. 230 VAC is present in the high voltage circuit board, power relay and primary circuit of low voltage transformer.
7. When troubleshooting, be cautious of possible electrical hazard.
8. When testing convection operation, convection fan may start at any time or if oven is hot.

## Error Codes

During operation, the display may show the following service codes:

**NOTE:** Before scheduling service for any error codes, instruct customer to unplug oven for 1 minute, reconnect power, and retest. If unit operates properly, no service call is required.

Display	Description	Corrective Action
Err1	Failed H.V. Board	Replace H.V. board.
Err2	Failed H.V. Board Shorted Touch Panel Shorted Display Board Shorted Cable HV to Display Board	Replace H.V. board. Replace Touch Panel. Replace Display Board. Replace Cable.
Err3	Failed H.V. Board	Replace H.V. board.
Err4	Failed H.V. Board	Replace H.V. board.
Err5	Shorted Touch Panel	<b>NOTE:</b> If Touch Panel is pressed for more than 30 seconds, this error code will appear. <ol style="list-style-type: none"> <li>1. Disconnect oven from power supply.</li> <li>2. Disconnect side touch panel connector from display board (J5).</li> <li>3. Reconnect oven to power supply.</li> <li>4. If "Err5" reappears after 30 seconds, replace top touch panel.</li> <li>5. If "Err5" does not reappear after 30 seconds, replace side touch panel.</li> </ol>
Err6	Failed H.V. Board	Replace H.V. board.
HOT		<ul style="list-style-type: none"> <li>• Open TCO (magnetron).</li> <li>• Blower motor inoperative.</li> <li>• Restricted air filter.</li> <li>• H.V. board inoperative.</li> <li>• High ambient temperature.</li> <li>• Oven operated empty or with light loads.</li> <li>• Broken or loose wire.</li> </ul>
Door	Door Interlock Primary Switch	<ul style="list-style-type: none"> <li>• Verify latch mechanism moves freely on door.</li> <li>• Verify J1 connector on display board is properly seated.</li> <li>• Test interlock switch assembly and perform door adjustment if necessary.</li> <li>• Replace interlock switch assembly.</li> </ul>
CALL SErv	Amperage monitoring System on H.V. Board	<ul style="list-style-type: none"> <li>• Power interruption while oven is operating may cause this code to display when power is restored.</li> <li>• Reset CALL SErv , Service Test procedure – Pad "0"</li> <li>• Place water load inside cavity and use pre-programmed pad to operate oven for 30 seconds or more. <ul style="list-style-type: none"> <li>• If CALL SErv does not appear, no further repairs are necessary</li> <li>• If CALL SErv reappears, use Service Test procedure to operate each H.V. system independently to isolate fault. <ul style="list-style-type: none"> <li>• Replace H.V. Board If Call SErv display will not clear.</li> </ul> </li> <li>• Reset CALL SErv after fault has been corrected.</li> </ul> </li> </ul>

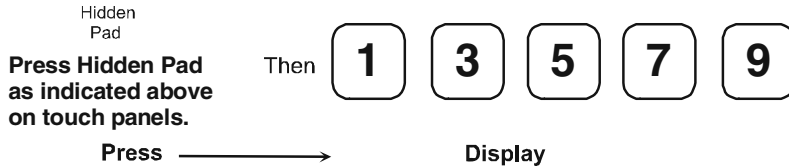
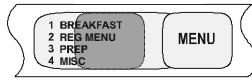
# Service Test

**NOTE: Unit must be in OFF condition or INITIAL power up mode.**



**To Enter Service Test Mode, oven door must be closed.**

**NOTE: Pads will not beep when accessing Service Test Mode. To EXIT Service Test Mode press STOP/RESET pad.**



**Component Evaluation**



## High Voltage System # 1

1

Toggles Magnetron 1 (Top Rear) ON/OFF.

Displays actual Amperage, will vary by model



Timer counts up to 62 seconds and unit shuts off.

If no Amperage, check for line voltage at H.V. transformer primary winding.  
If no voltage, check:

- Interlock switch (secondary)
- Triac 1
- H.V. board (relay K8 if 230 VAC, and triac 1 drive voltage T1 - G)
- Wiring

If voltage is present, check:

- H.V. components and wiring.

## High Voltage System # 2

2

Toggles Magnetron 2 (Top Front) ON/OFF.

Displays actual Amperage, will vary by model



Timer counts up to 62 seconds and unit shuts off.

If no Amperage, check for line voltage at H.V. transformer primary winding.  
If no voltage, check:

- Interlock switch (secondary)
- Triac 2
- H.V. board (relay K4 if 230 VAC, and triac 2 drive voltage T1 - G)
- Wiring

If voltage is present, check:

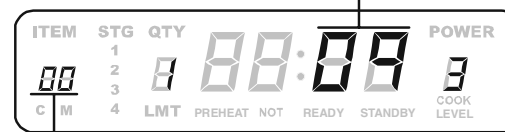
- H.V. components and wiring.

## High Voltage System # 3

3

Toggles Magnetron 3 (Bottom) ON/OFF.

Displays actual Amperage, will vary by model



Timer counts up to 62 seconds and unit shuts off.

If no Amperage, check for line voltage at H.V. transformer primary winding.  
If no voltage, check:

- Interlock switch (secondary)
- Triac 3
- H.V. board (relay K6 if 230 VAC, and triac 3 drive voltage T1 - G)
- Wiring

If voltage is present, check:

- H.V. components and wiring.

# Service Test

Press →

Display

Component Evaluation

**4** →  
NOT ACTIVE



- This mode is NOT active with these models.

**5** →  
Toggles  
Blower Motor  
Antenna Motor(s)  
Cavity Light (if applicable)  
ON/OFF.



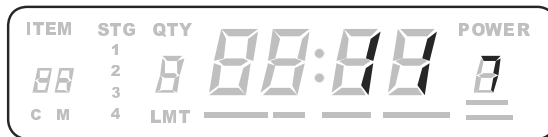
- If no fan operation, check:
  - Blower motor and wheel
  - Antenna motor
  - Cavity light (if applicable)
  - H.V. board relay K1 - 230 V
- Wiring

**6** →  
NOT ACTIVE



- This mode is NOT active with these models.

**7** →  
Displays # of  
Magnetron Hours.



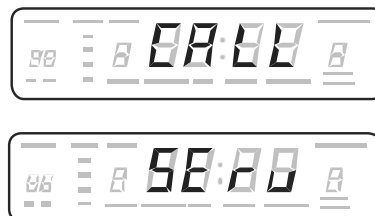
**8** →  
Displays # of Door Cycles  
with a 1 to 1 ratio rounded  
to the nearest ten



**9** →  
Clears Hours and Cycles  
(press START to activate)  
(Resets to 0).



**0** →  
Pressing 0 will clear  
CALL SERVICE display.



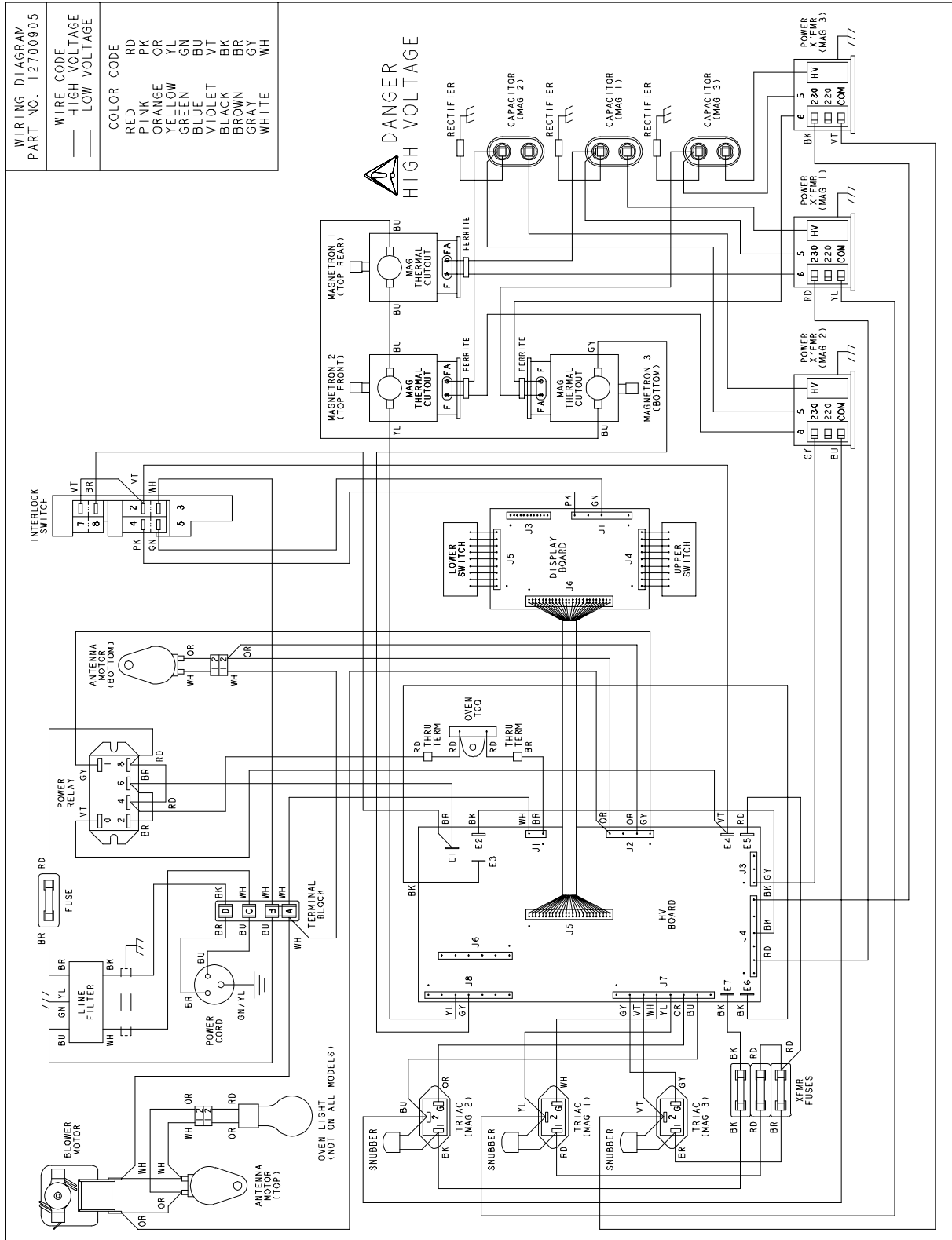
- CALL is displayed for 1 second  
SERV is displayed for 1 second.  
Then the display will be  
OFF for 5 seconds.
- This will continue until  
Call Service is cleared  
from the display.

# Wiring Diagram and Schematic



**WARNING**

To avoid risk of electrical shock, personal injury or death; disconnect power to oven and discharge capacitor before servicing, unless testing requires power.



# Wiring Diagram and Schematic



**WARNING**

To avoid risk of electrical shock, personal injury or death; disconnect power to oven and discharge capacitor before servicing, unless testing requires power.

