

# Technical Bulletin

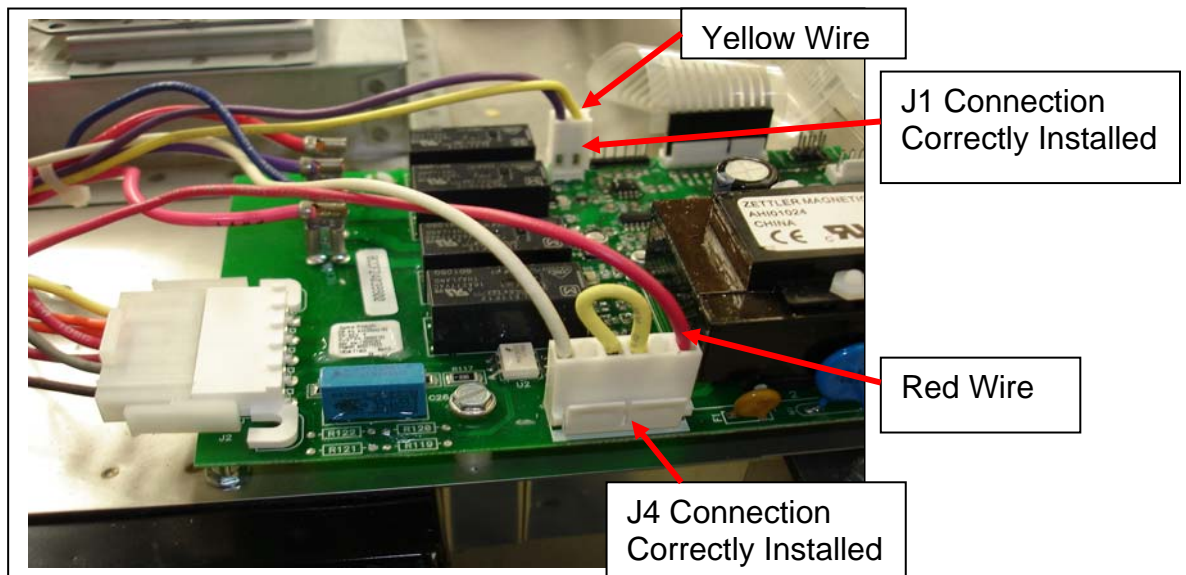
Date: January 2010  
No: TCM-0048-B

Page 1 of 2

- Type** Policy Letter  
√Service Information
- Attention** Service Managers  
√Service and Parts Managers
- Product** HDC / CRC models listed below
- Issue** Incorrectly wired HV/ LV Board
- Action**

When servicing models listed below, check wiring to HV/LV board J1 & J4 connectors. Wiring connections to board could be reversed causing the HV/LV board to fail. See photo below and page 2 wiring diagram for correct wiring.

Model	Mfg Number
HDC182	P1333102M
HDC18SD2	P1333103M
CRC18T2OG2	P1333104M
HDC212	P1333105M
HDC21RB2	P1333106M
HDC21RT2	P1333107M
CRC21T2RL2	P1333108M



WIRING DIAGRAM  
PART NO. 13063801

WIRE CODE  
 — HIGH VOLTAGE  
 — LOW VOLTAGE

COLOR CODE  
 RED RD  
 PINK PK  
 ORANGE OR  
 YELLOW YL  
 GREEN GN  
 BLUE BU  
 VIOLET VT  
 BLACK BK  
 BROWN BR  
 GRAY GY  
 WHITE WH

