

Repair Parts List

MODEL NUMBER

LD10MP

MANUFACTURING
NUMBER

P2000701M

COMMERCIAL MICROWAVE

When requesting service or ordering parts, always
provide the following information:

- Product Type
- Part Number
- Model Number
- Part Description

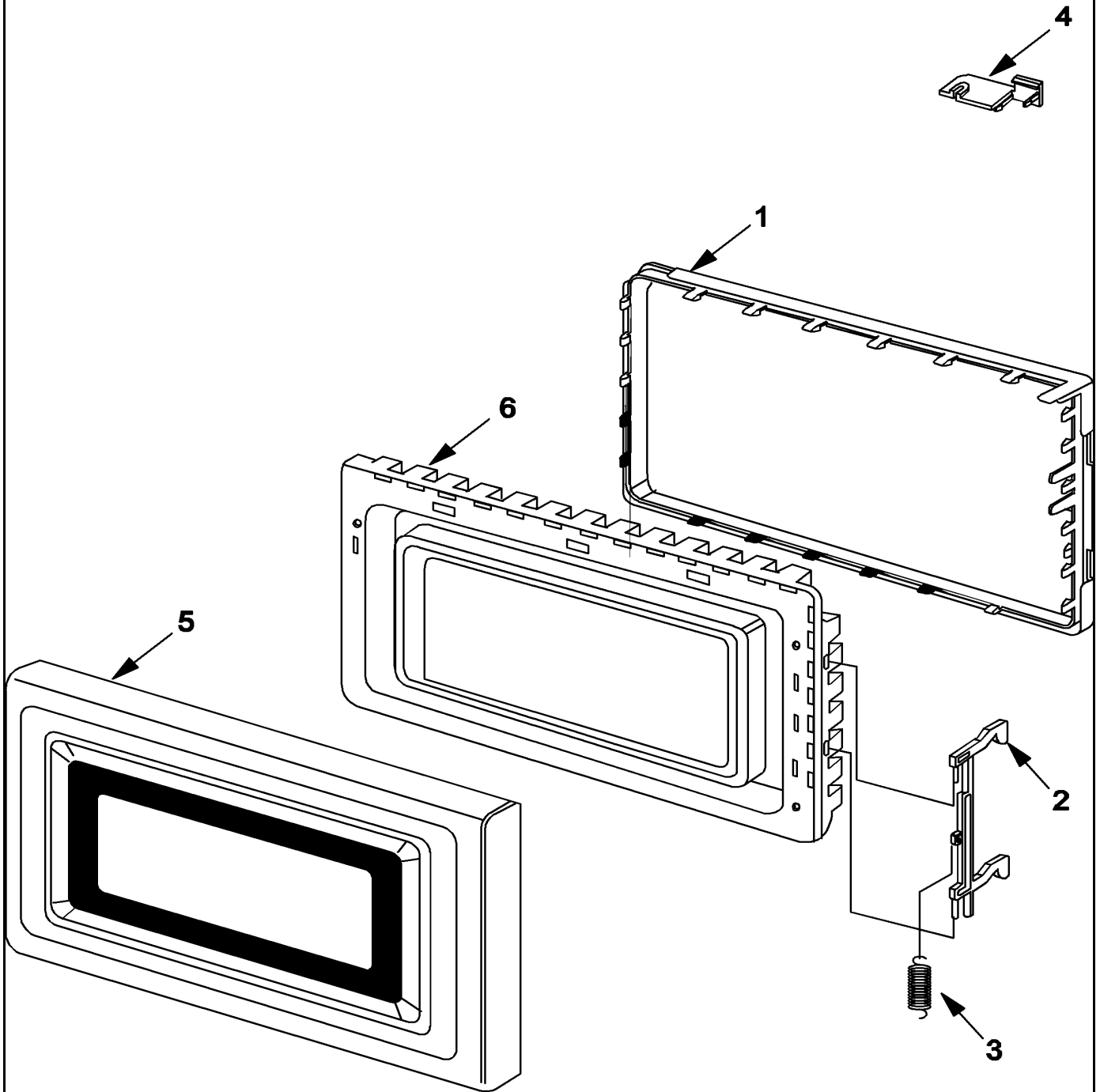
ACP
INC.
New

HIGH PERFORMANCE HAS A NAME™

Amana MENUMASTER®

Section: DOOR

Model: LD10MP_P2000701M

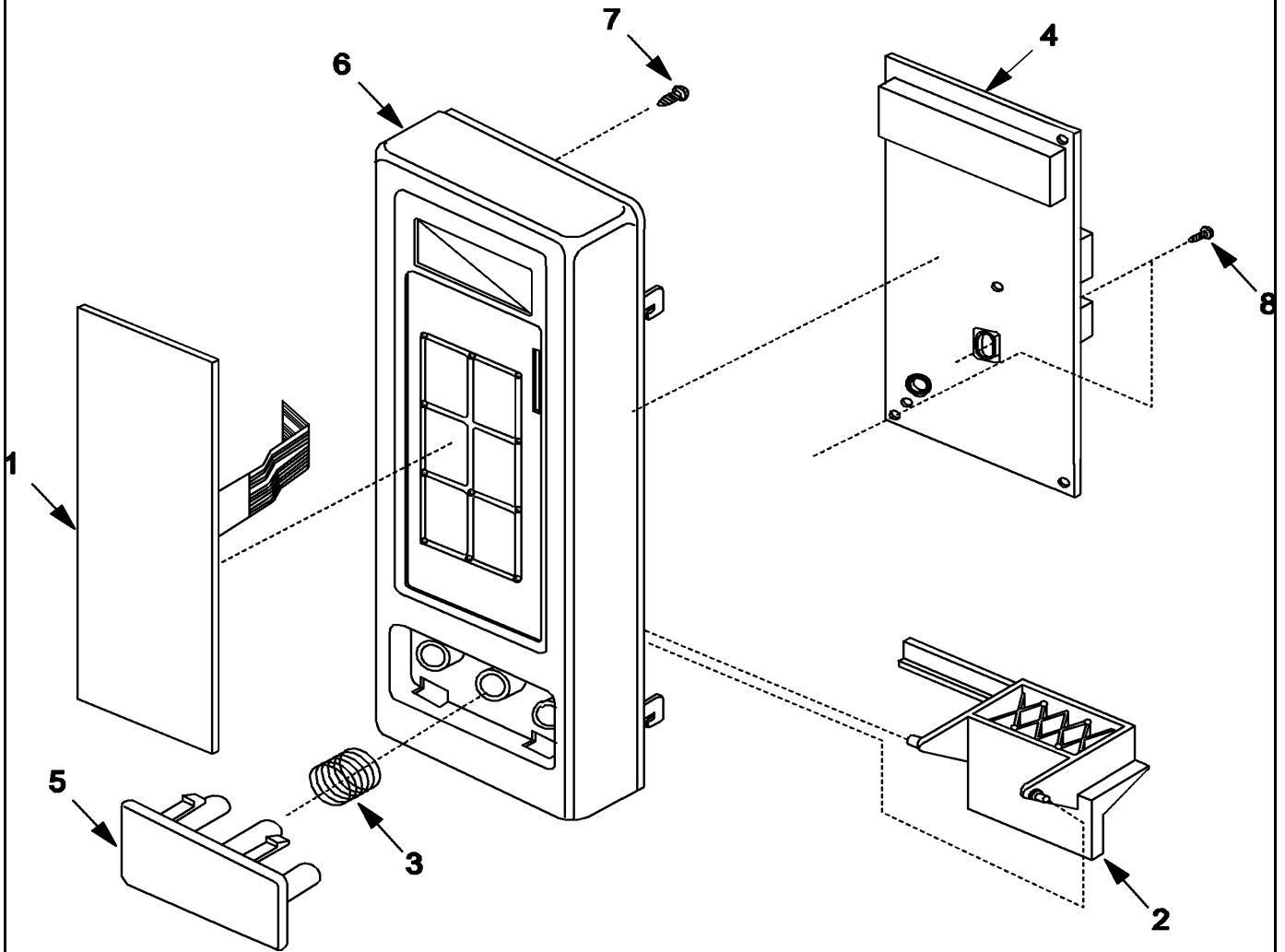


Section: DOOR

No.	Part No.	Description	Series Qty
1	R9800273	CHOKE COVER	1
2	R9800284	LATCH	1
3	R9800283	SPRING	1
4	R9900077	CAP, TOP HINGE	1
5	59001176	ASSY, OUTER DOOR	1
6	59001177	ASSY, DOOR FRAME CHOKE	1

Section: CONTROLLER

Model: LD10MP_P2000701M

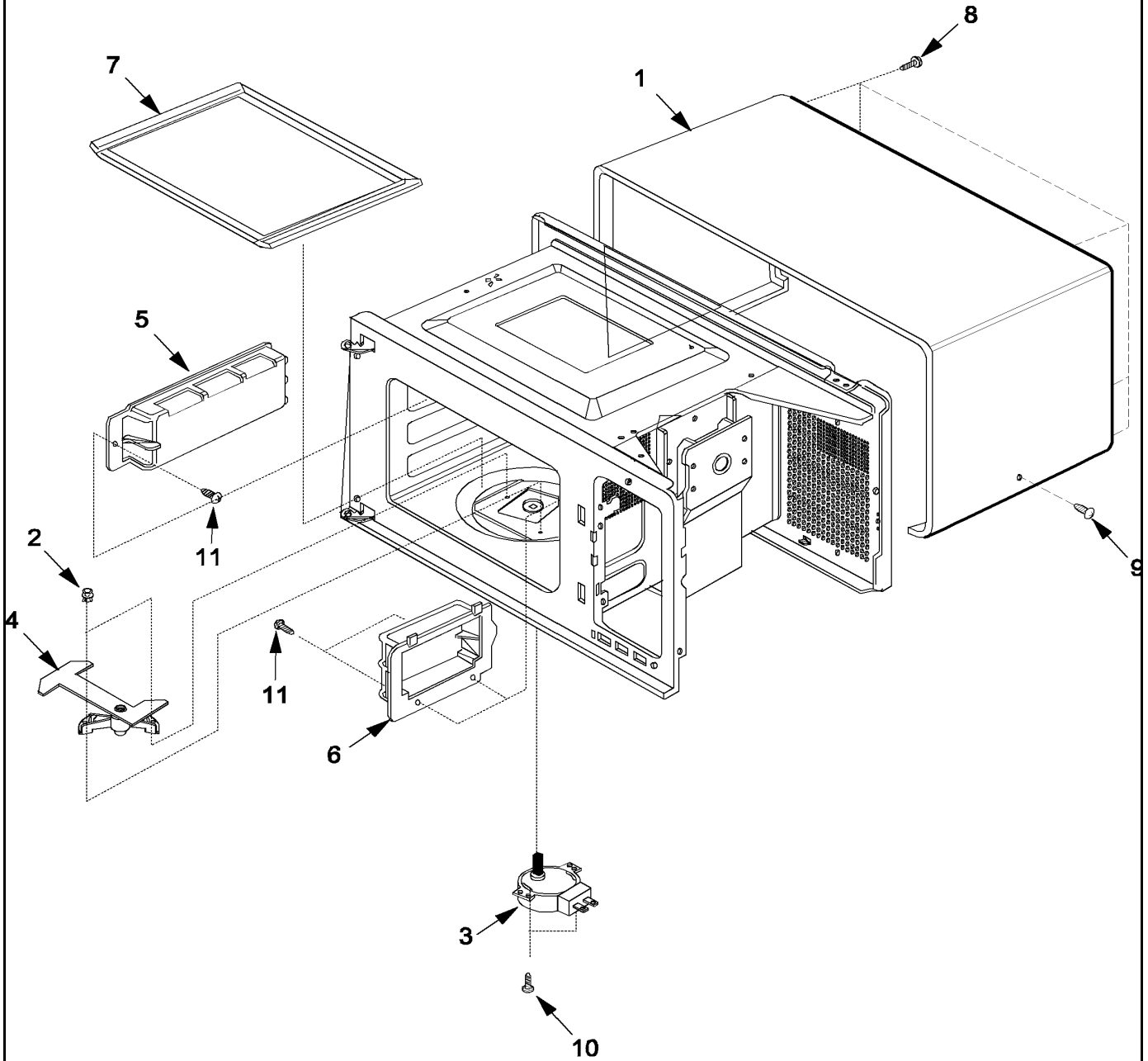


Section: CONTROLLER

No.	Part No.	Description	Series Qty
1	59001174	PAD, KEY	1
2	R9800357	LEVER, RELEASE	1
3	R9800320	SPRING	1
4	59001175	CONTROLLER	1
5	59001181	BUTTON	1
6	59001178	PANEL, CONTROL	1
7	R9800691	SCREW, SPECIAL D	1
8	R0131048	SCREW TAPPING,PAN HEAD	3

Section: OVEN CAVITY

Model: LD10MP_P2000701M

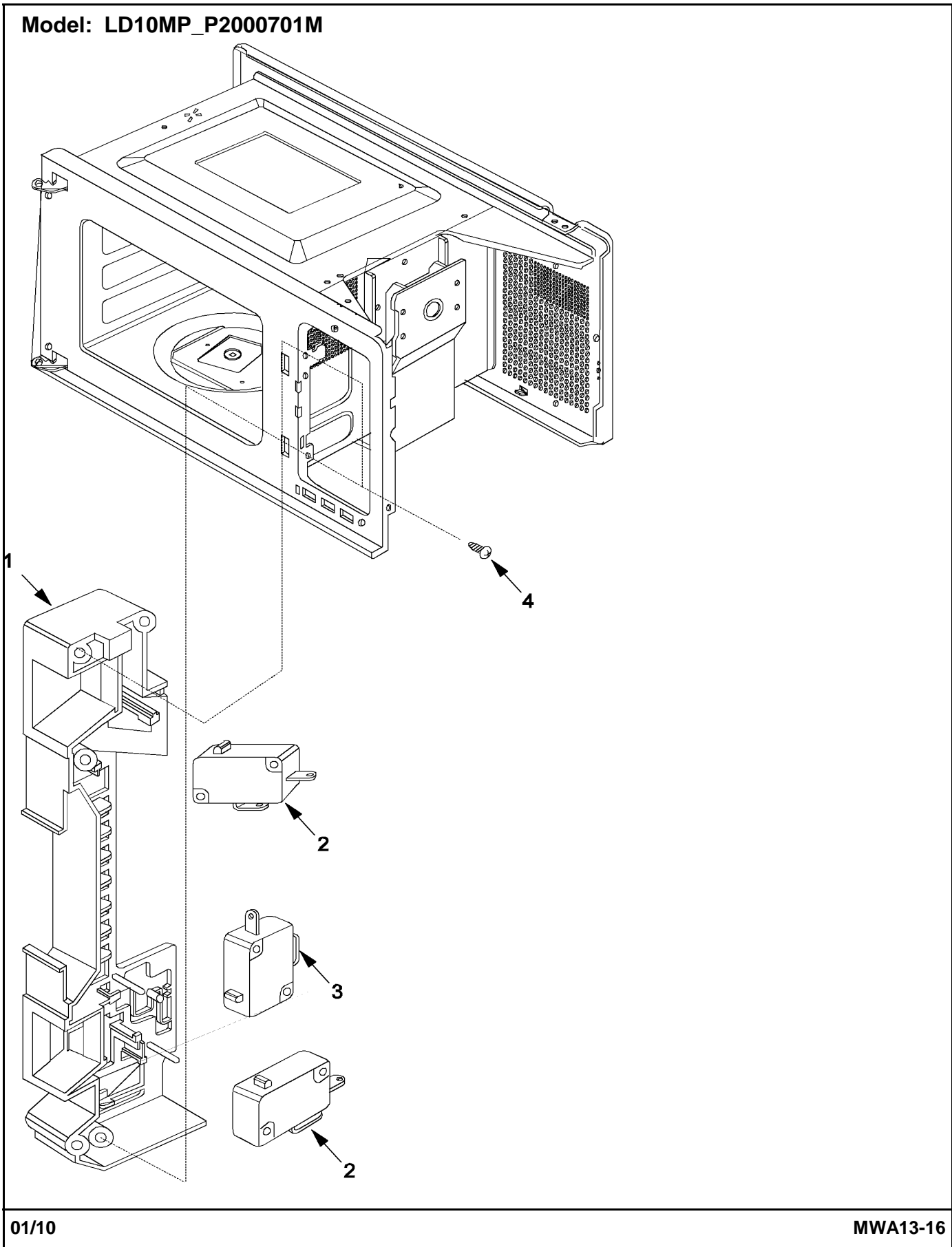


Section: OVEN CAVITY

No.	Part No.	Description	Series Qty
1	59001183	OUT CASE	1
2	59001184	ASSY, RIVET	1
3	59001186	MOTOR, ANTENNA 120V 60HZ	1
4	59001190	ASSY, ANTENNA	1
5	R9900074	GUIDE, AIR (LEFT)	1
6	R9900075	GUIDE, AIR (RIGHT)	1
7	59001194	TRAY, CERAMIC	1
8	R0131246	SCREW, TAPPING TRUSS HEAD	6
9	R9900539	SCREW, TRUSS HD	2
10	R0654180	SCREW, PAN HD	2
11	59001195	SCREW	3

Section: LATCH BOARD

Model: LD10MP_P2000701M

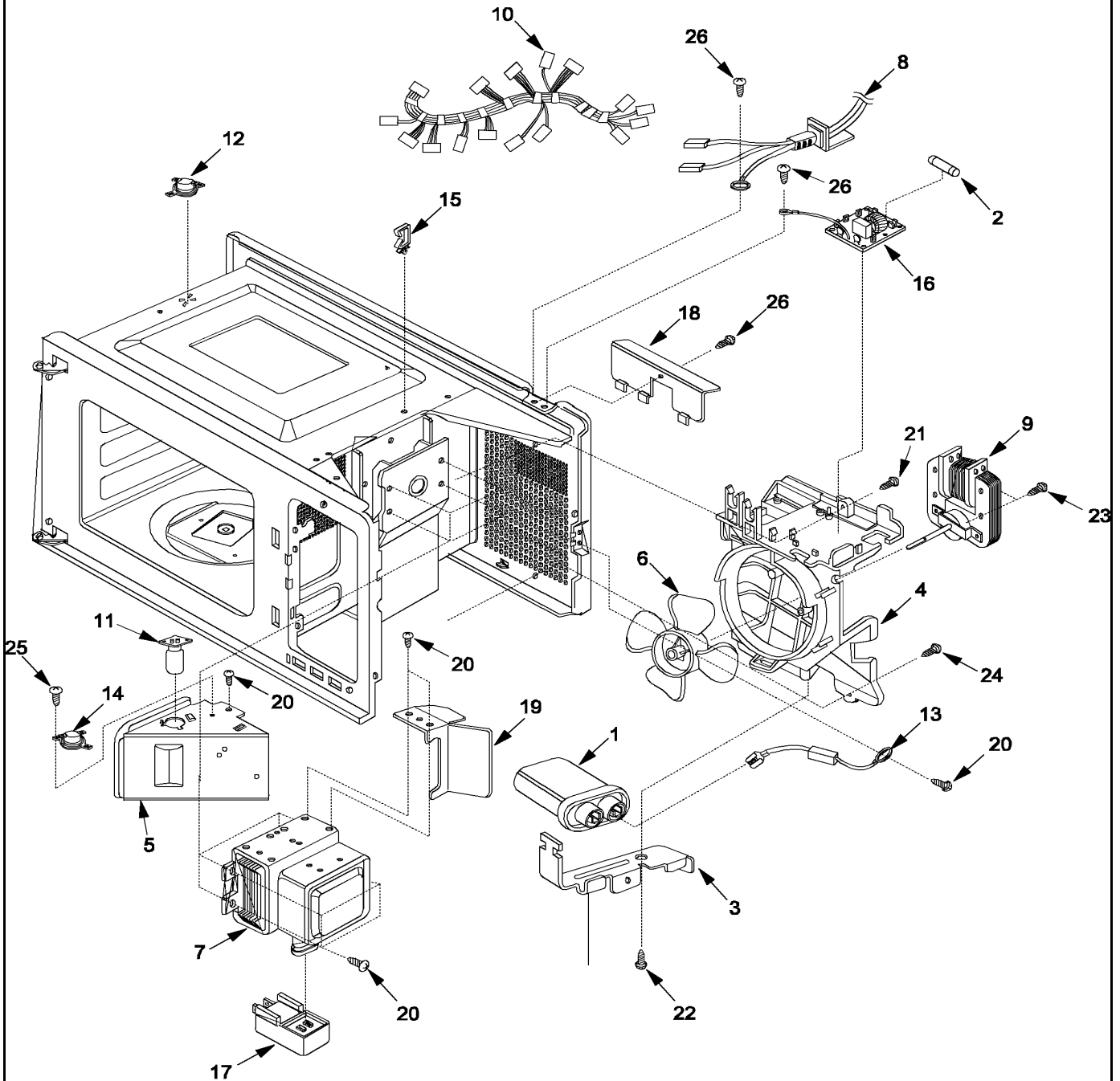


Section: LATCH BOARD

No.	Part No.	Description	Series Qty
1	R9900057	BRACKET, SWITCH	1
2	R9900519	SWITCH	2
3	R9900520	SWITCH, MONITOR	1
4	R9800691	SCREW, SPECIAL D	3

Section: INTERIOR

Model: LD10MP_P2000701M

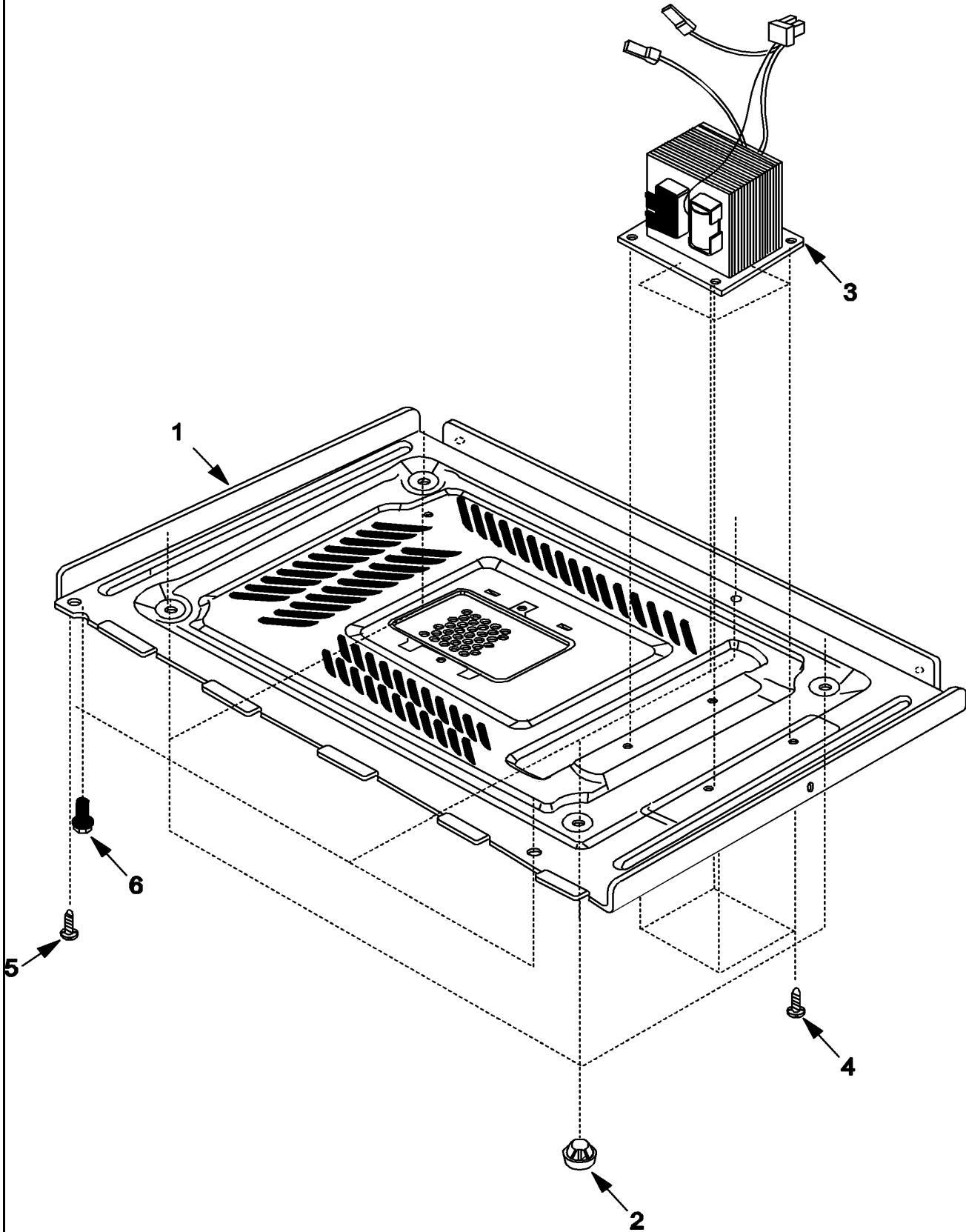


Section: INTERIOR

No.	Part No.	Description	Series Qty
1	R0131325	CAPACITOR- 1.0	1
2	R0131110	FUSE	1
3	R0131269	BRACKET, CAPACITOR	1
4	R9900073	SHROUD, FAN MOTOR	1
5	R9900079	DUCT, AIR	1
6	R9800458	BLADE, MOTOR FAN	1
7	R9900082	MAGNETRON	1
8	R9900083	ASSY, POWER CORD	1
9	R9900051	MOTOR - FAN	1
10	53002051	HARNES, WIRE	1
11	R9900095	LAMP OVEN BASELESS	1
12	59001189	THERMOSTAT, CAVITY	1
13	R9800486	DIODE- BLACK SLEEVE	1
14	R9900097	THERMO, MAGNETRON	1
15	R9800440	HOLDER- WIRING	1
16	R9800472	ASSY, FUSE BLOCK/NOISE FILTER	1
17	R9800442	ASSY, CHOKE FILTER	1
18	59001192	COVER, POWER CORD	1
19	59001185	INSULATOR	1
20	R0131029	SCREW, TAP TITE(S)-BINDING HEAD	8
21	R9800691	SCREW, SPECIAL D	1
22	R0654183	SCREW, TRUSS HD	7
23	R9800411	SCREW, TAP TH	2
24	R0131280	SCREW	1
25	R0654030	SCREW, PAN HD S/TAP	1
26	R9900537	SCREW	3

Section: BASE PLATE

Model: LD10MP_P2000701M



Section: BASE PLATE

No.	Part No.	Description	Series Qty
1	59001193	BASE PLATE	1
2	53001169	LEG	4
3	59001187	TRANSFORMER-HV 120V 60HZ 15A	1
4	R0131029	SCREW, TAP TITE(S)-BINDING HEAD	4
5	N R0654125	SCREW, TAP TITE	2
6	R0131246	SCREW, TAPPING TRUSS HEAD	1

Section: SUPPLEMENTAL INFORMATION

No.	Part No.	Description	Series Qty
1	N 16022171	MANUAL, PARTS COM MICROWAVE	1
2	16022123	SVC MAN, COMM MICROWAVE	1
3	N 53001213	MANUAL, USE & CARE	1

Section: WIRING INFORMATION

Model: LD10MP_P2000701M

